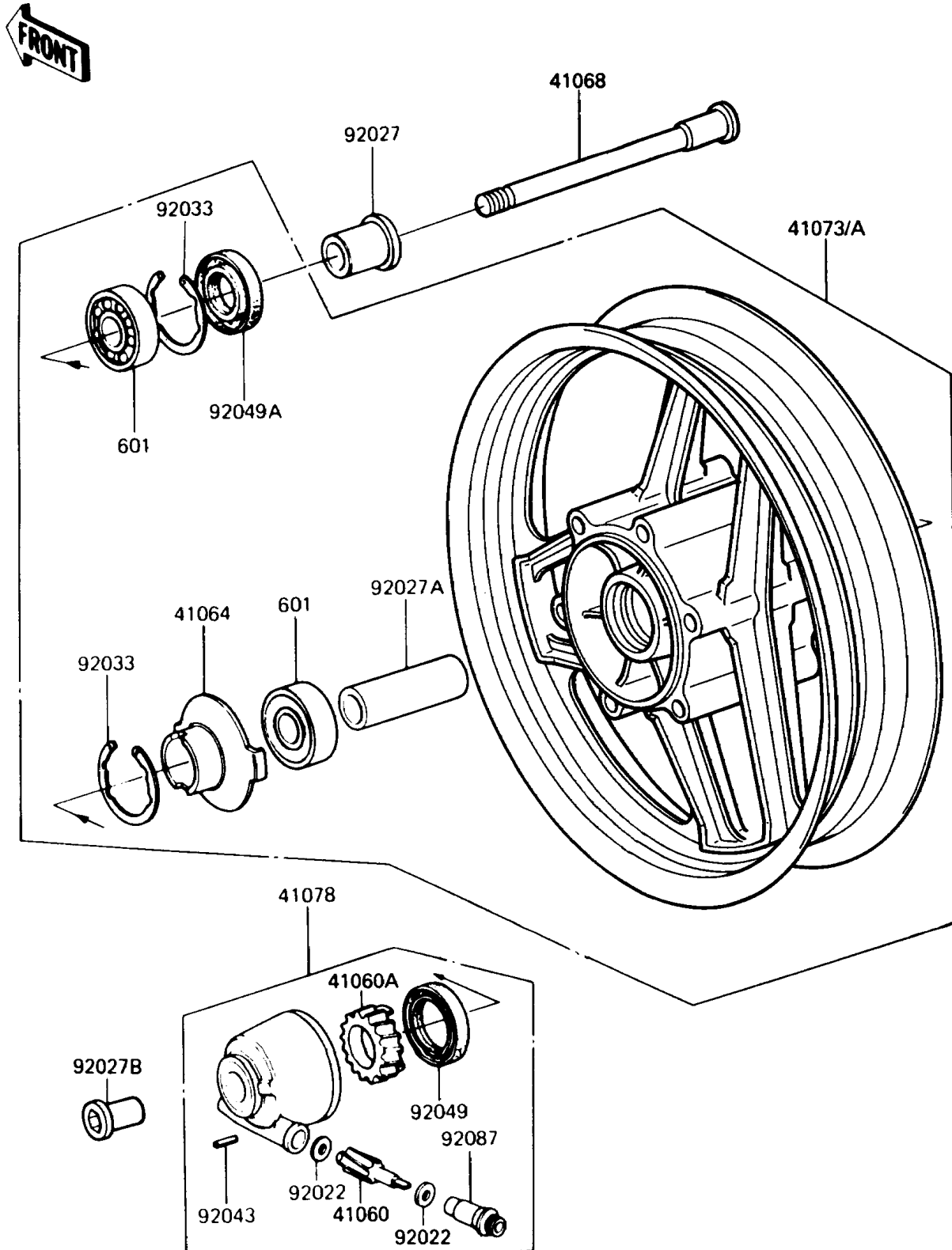


# 1990 Concours PARTS DIAGRAM

Front Hub

F223U



# 1990 Concours PARTS LIST

## Front Hub

ITEM NAME	PART NUMBER	QUANTITY
GEAR-METER SCREW,9T (Ref # 41060)	41060-1016	1
GEAR-METER SCREW,25T (Ref # 41060A)	41060-1041	1
RECEIVER-SPEEDOMETER (Ref # 41064)	41064-1006	1
AXLE,FR (Ref # 41068)	41068-1164	1
WHEEL-ASSY,FR,SILVER NO.1 (Ref # 41073A)	41073-1423-CX	1
CASE-ASSY-METER GEAR (Ref # 41078)	41078-1061	1
WASHER,5.1X9X0.4 (Ref # 92022)	41063-001	2
COLLAR,L=30 (Ref # 92027)	92027-1225	1
COLLAR,L=71 (Ref # 92027A)	92027-1725	1
COLLAR,FR AXLE,L=36.5 (Ref # 92027B)	92027-1726	1
RING-SNAP,42MM (Ref # 92033)	92033-1041	2
PIN,SPRING (Ref # 92043)	41082-001	1
SEAL-OIL,BJN30427-C3 (Ref # 92049)	92049-1057	1
SEAL-OIL,BJN22425 (Ref # 92049A)	92049-1058	1
BUSHING-METER GEAR (Ref # 92087)	92087-1002	1
BEARING-BALL,#6302UG (Ref # 601)	601B6302UG	2