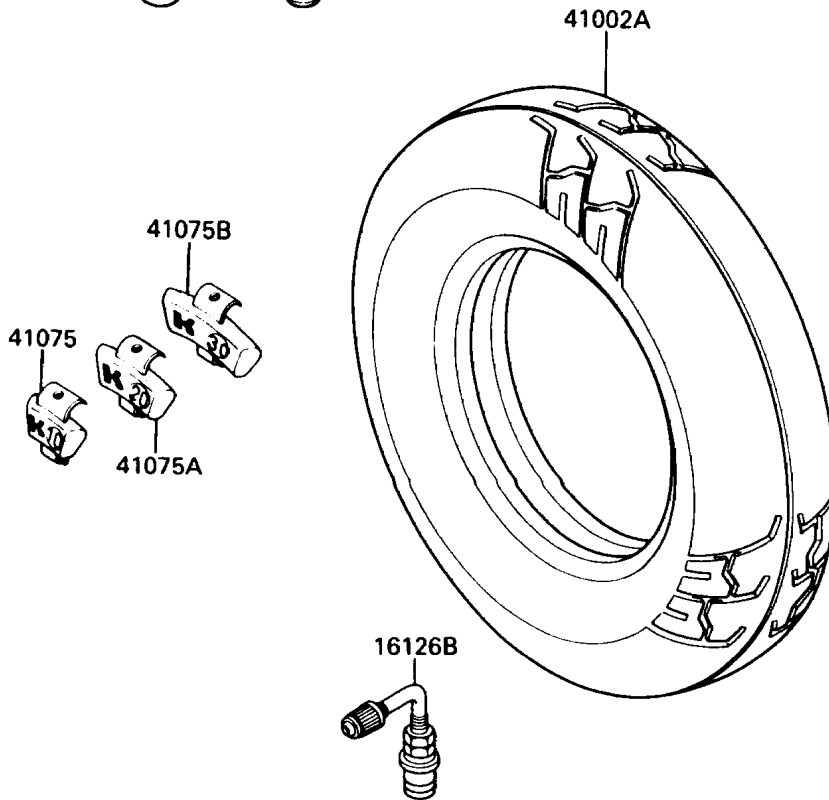
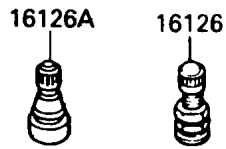
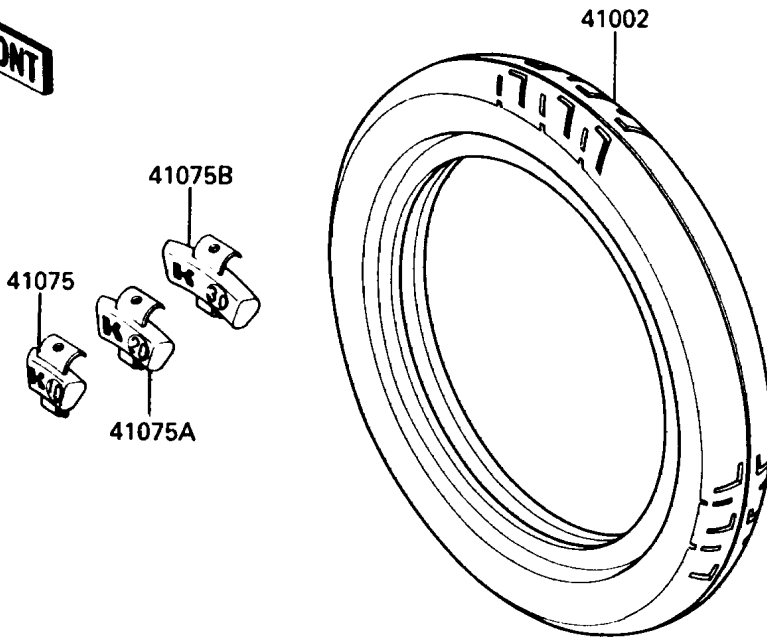


1990 Concours PARTS DIAGRAM

Tire

F221U



1990 Concours PARTS LIST

Tire

ITEM NAME	PART NUMBER	QUANTITY
VALVE,TIRE (Ref # 16126A)	16126-1140	1
VALVE,TIRE (Ref # 16126B)	16126-1191	1
TIRE,FR,110/80VR18,K105F(D) (Ref # 41002)	41002-1582	1
TIRE,RR,150/80VR16,K700G(D) (Ref # 41002A)	41002-1583	1
BALANCER-WHEEL,10G,SILVER (Ref # 41075)	41075-1014	AR
BALANCER-WHEEL,20G,SILVER (Ref # 41075A)	41075-1015	AR
BALANCER-WHEEL,30G,SILVER (Ref # 41075B)	41075-1016	AR