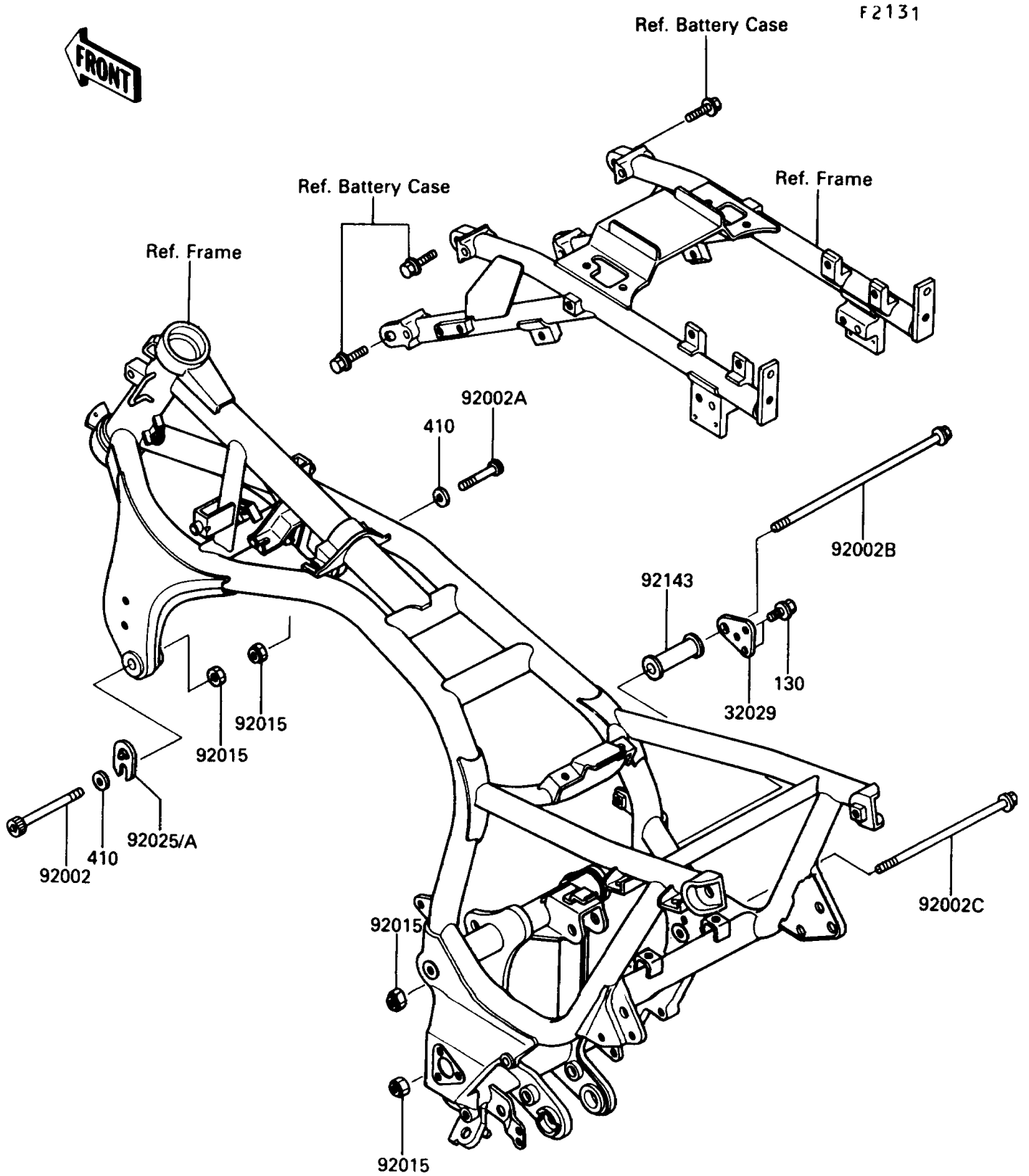


1990 Concours PARTS DIAGRAM

Frame Fitting



1990 Concours PARTS LIST

Frame Fitting

| ITEM NAME | PART NUMBER | QUANTITY |
|--|-------------|----------|
| BRACKET-ENGINE,RR,UPP,RH (Ref # 32029) | 32029-1473 | 1 |
| BOLT,SOCKET,10X100 (Ref # 92002) | 92001-1888 | 1 |
| BOLT,SOCKET,10X72 (Ref # 92002A) | 92001-1889 | 1 |
| BOLT,FLANGED,10X265 (Ref # 92002B) | 92002-1722 | 1 |
| BOLT,FLANGED,10X215 (Ref # 92002C) | 92002-1822 | 1 |
| NUT,LOCK,10MM (Ref # 92015) | 92015-1429 | 4 |
| SHIM,ENGINE MOUNT,T=1.2 (Ref # 92025) | 92025-1616 | AR |
| SHIM,ENGINE MOUNT,T=2.0 (Ref # 92025A) | 92025-1617 | AR |
| COLLAR,L=57.5 (Ref # 92143) | 92143-1027 | 1 |
| BOLT-FLANGED (Ref # 130) | 130J0812 | 2 |
| WASHER-PLAIN-SMALL,10MM (Ref # 410) | 410B1000 | 2 |