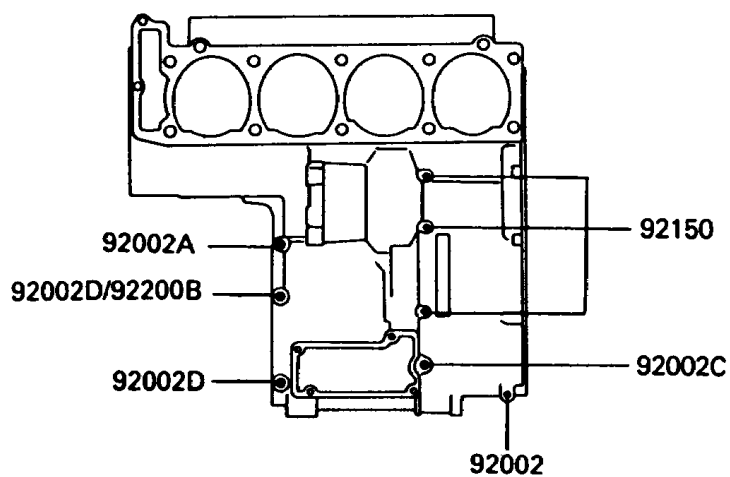


1989 Concours (Canada Only) PARTS DIAGRAM

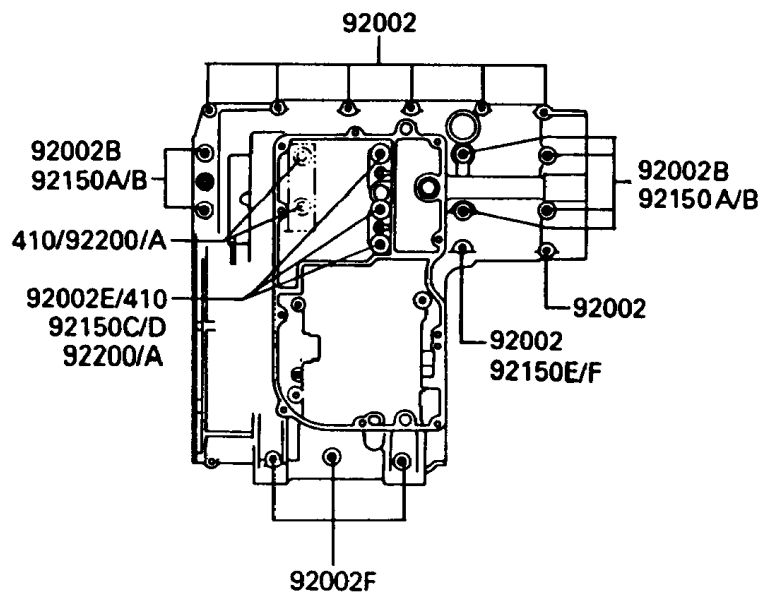
Crankcase Bolt Pattern

E1412

Upper Case



Lower Case



1989 Concours (Canada Only) PARTS LIST

Crankcase Bolt Pattern

ITEM NAME	PART NUMBER	QUANTITY
BOLT,6X38 (Ref # 92002)	92001-1899	1
BOLT,6X55 (Ref # 92002A)	92002-1054	1
BOLT,8X90 (Ref # 92002B)	92002-1057	1
BOLT,6X85 (Ref # 92002C)	92002-1306	1
BOLT,8X63 (Ref # 92002D)	92002-1308	1
BOLT,8X140 (Ref # 92002E)	92002-1402	1
BOLT,6X120 (Ref # 92002F)	92002-1654	1
BOLT,6X115 (Ref # 92150)	92150-1140	1
BOLT,9X90 (Ref # 92150B)	92150-1364	1
BOLT,9X140 (Ref # 92150D)	92150-1365	1
BOLT,7X38 (Ref # 92150F)	92150-1367	1
WASHER,9.5X18X1.2 (Ref # 92200A)	92200-1037	1
WASHER,8.5X16X1.2 (Ref # 92200B)	92200-1063	1
WASHER-PLAIN-SMALL,8MM (Ref # 410)	410B0800	1