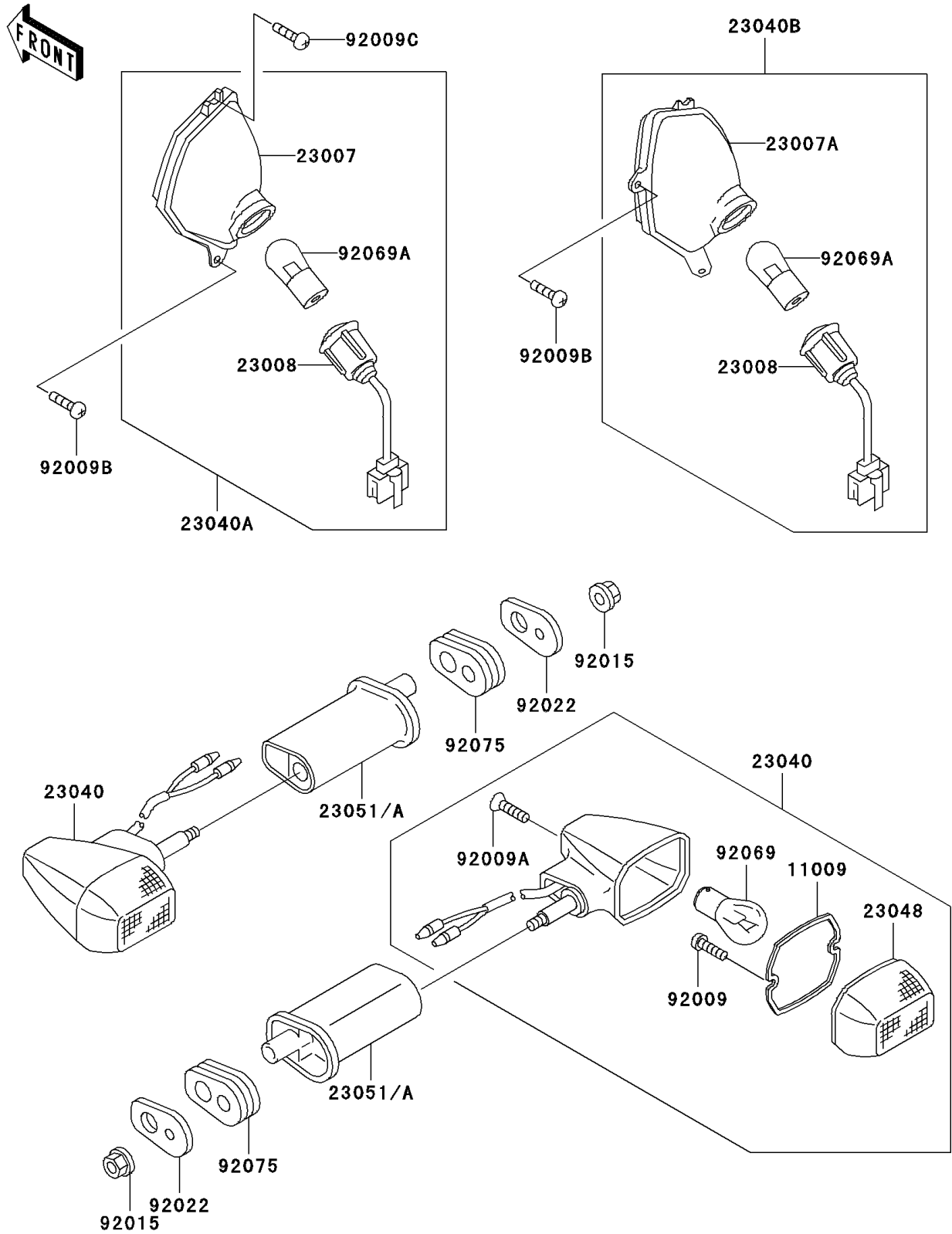


2002 Concours PARTS DIAGRAM

Turn Signals

F2730



2002 Concours PARTS LIST

Turn Signals

ITEM NAME	PART NUMBER	QUANTITY
GASKET,SIGNAL LAMP (Ref # 11009)	11009-1402	1
LENS-COMP,SIGNAL LAMP,FR,LH (Ref # 23007)	23007-1142	1
LENS-COMP,SIGNAL LAMP,FR,RH (Ref # 23007A)	23007-1143	1
SOCKET-ASSY,SIGNAL LAMP,FR (Ref # 23008)	23008-1299	1
LAMP-SIGNAL,RR (Ref # 23040)	23040-1108	1
LAMP-SIGNAL,FR,LH (Ref # 23040A)	23040-1136	1
LAMP-SIGNAL,FR,RH (Ref # 23040B)	23040-1137	1
LENS-SIGNAL LAMP (Ref # 23048)	23048-1054	1
BRACKET-SIGNAL LAMP (Ref # 23051A)	23051-1252	1
SCREW,TAPPING,3X16 (Ref # 92009)	92009-1115	1
SCREW,TAPPING,4X20 (Ref # 92009A)	92009-1304	1
SCREW,4X18 (Ref # 92009B)	92009-1355	1
SCREW,TAPPING,4X12 (Ref # 92009C)	92009-1444	1
NUT,FLANGED,6MM (Ref # 92015)	92015-1367	1
WASHER,SIGNAL LAMP (Ref # 92022)	92022-1672	1
BULB,12V 32CP(23W) (Ref # 92069)	92069-055	1
BULB,12V 32/3CP(23/8W) (Ref # 92069A)	92069-060	1
DAMPER,SIGNAL LAMP (Ref # 92075)	92075-1698	1