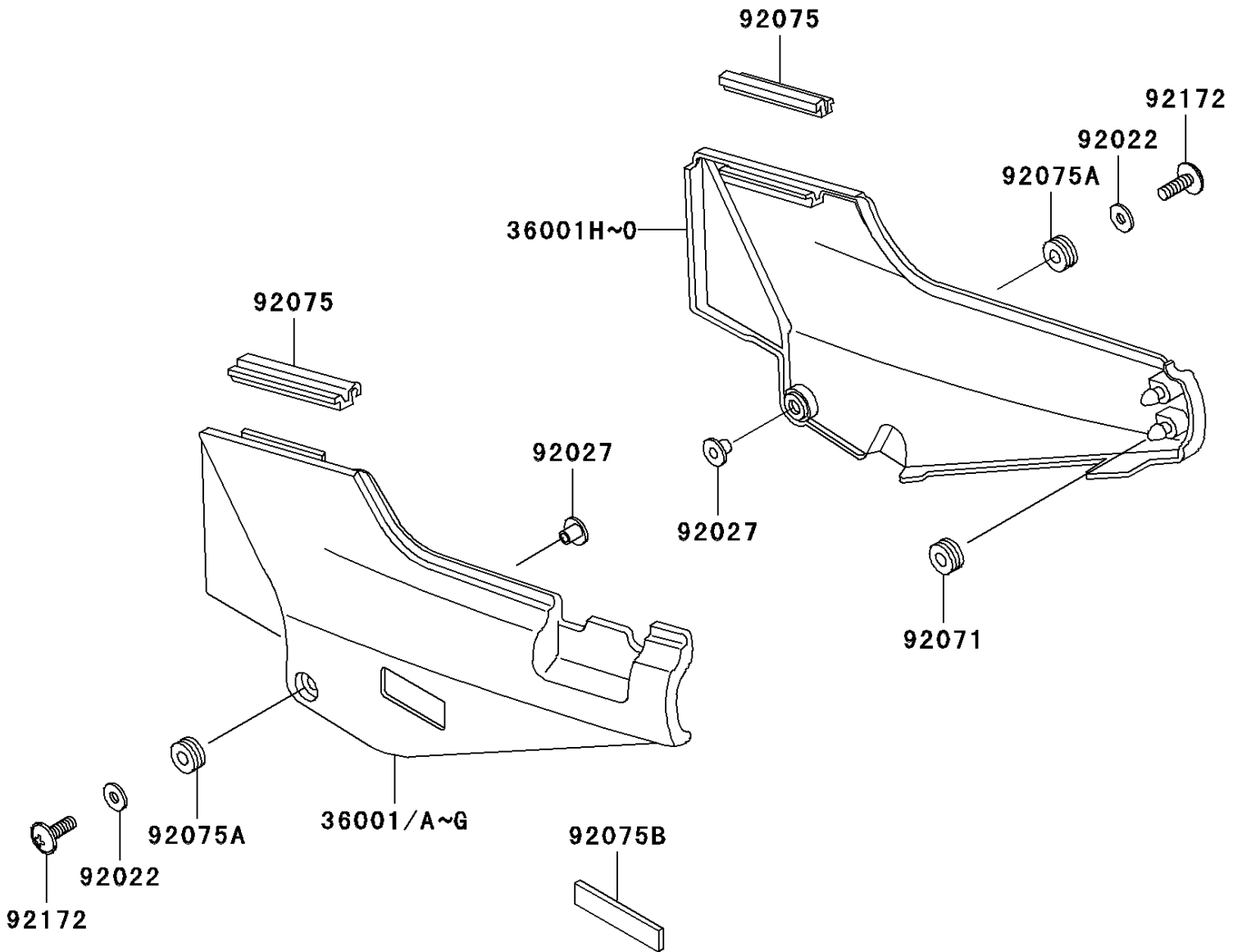


2004 Concours PARTS DIAGRAM

Side Covers

F2611



2004 Concours PARTS LIST

Side Covers

ITEM NAME	PART NUMBER	QUANTITY
COVER-SIDE,LH,BLACK/GRAY/BLACK (Ref # 36001E)	36001-1324-377	1
COVER-SIDE,RH,BLACK/GRAY/BLACK (Ref # 36001M)	36001-1325-377	1
WASHER,6.5X20X1.6,BLACK (Ref # 92022)	92022-1619	2
COLLAR,L=9.1,WHITE (Ref # 92027)	92027-1795	2
GROMMET (Ref # 92071)	92071-056	4
DAMPER,SIDE COVER (Ref # 92075)	92075-1601	2
DAMPER (Ref # 92075A)	92075-1634	2
DAMPER,SIDE COVER (Ref # 92075B)	92075-1854	1
SCREW,6X18 (Ref # 92172)	92172-0002	2