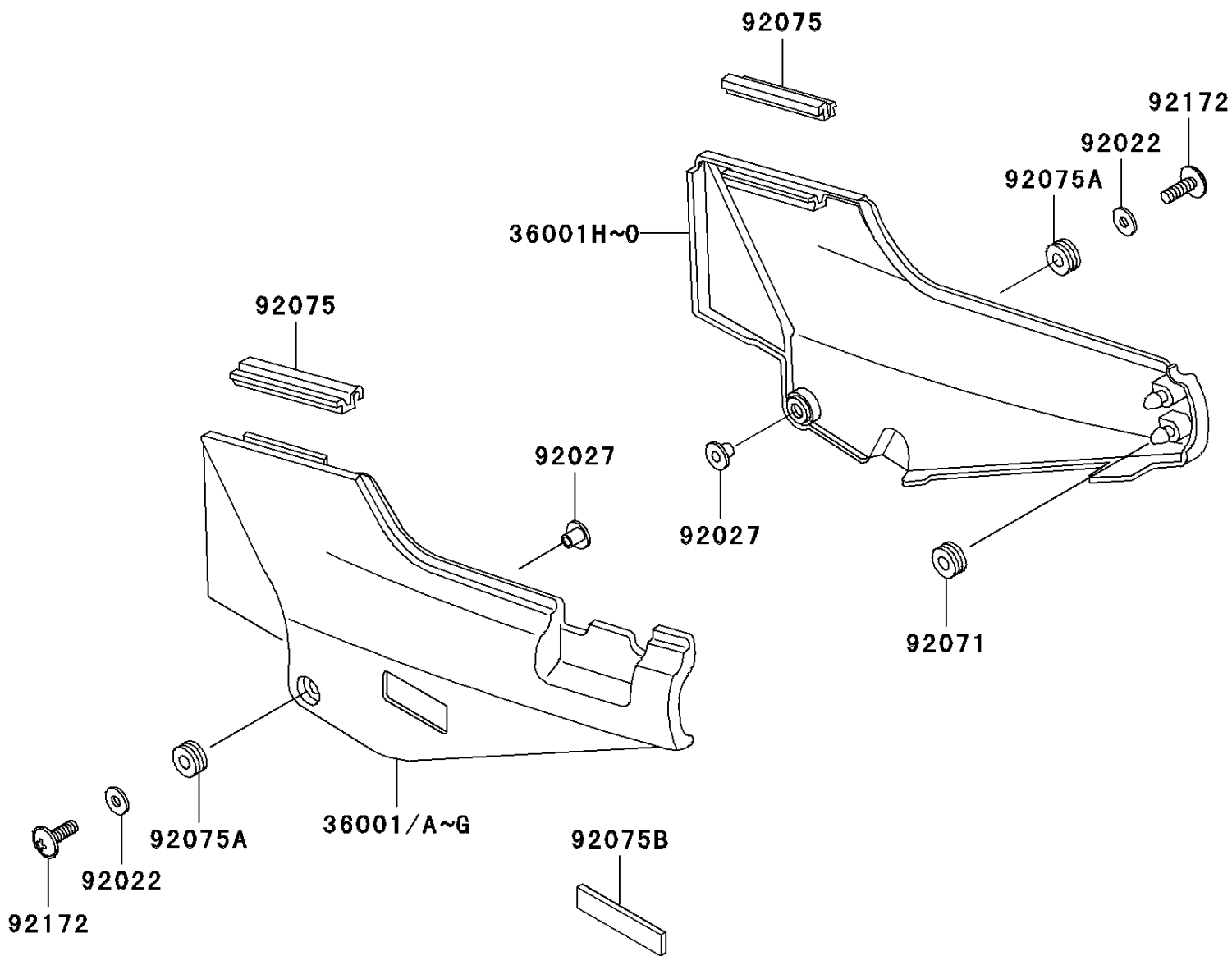


2002 Concours PARTS DIAGRAM

Side Covers

F2611



2002 Concours PARTS LIST

Side Covers

ITEM NAME	PART NUMBER	QUANTITY
WASHER,6.5X20X1.6,BLACK (Ref # 92022)	92022-1619	1
COLLAR,L=9.1,WHITE (Ref # 92027)	92027-1795	1
GROMMET (Ref # 92071)	92071-056	1
DAMPER,SIDE COVER (Ref # 92075)	92075-1601	1
DAMPER (Ref # 92075A)	92075-1634	1
DAMPER,SIDE COVER (Ref # 92075B)	92075-1854	1
SCREW,6X18 (Ref # 92172)	92172-0002	1
COVER-SIDE,LH,SIL/GRAY/BLACK (Ref # 36001C)	36001-1324-355	1
COVER-SIDE,LH,SIL/GRAY/BLACK (Ref # 36001F)	36001-1324-453	1
COVER-SIDE,RH,SIL/GRAY/BLACK (Ref # 36001K)	36001-1325-355	1
COVER-SIDE,RH,SIL/GRAY/BLACK (Ref # 36001N)	36001-1325-453	1