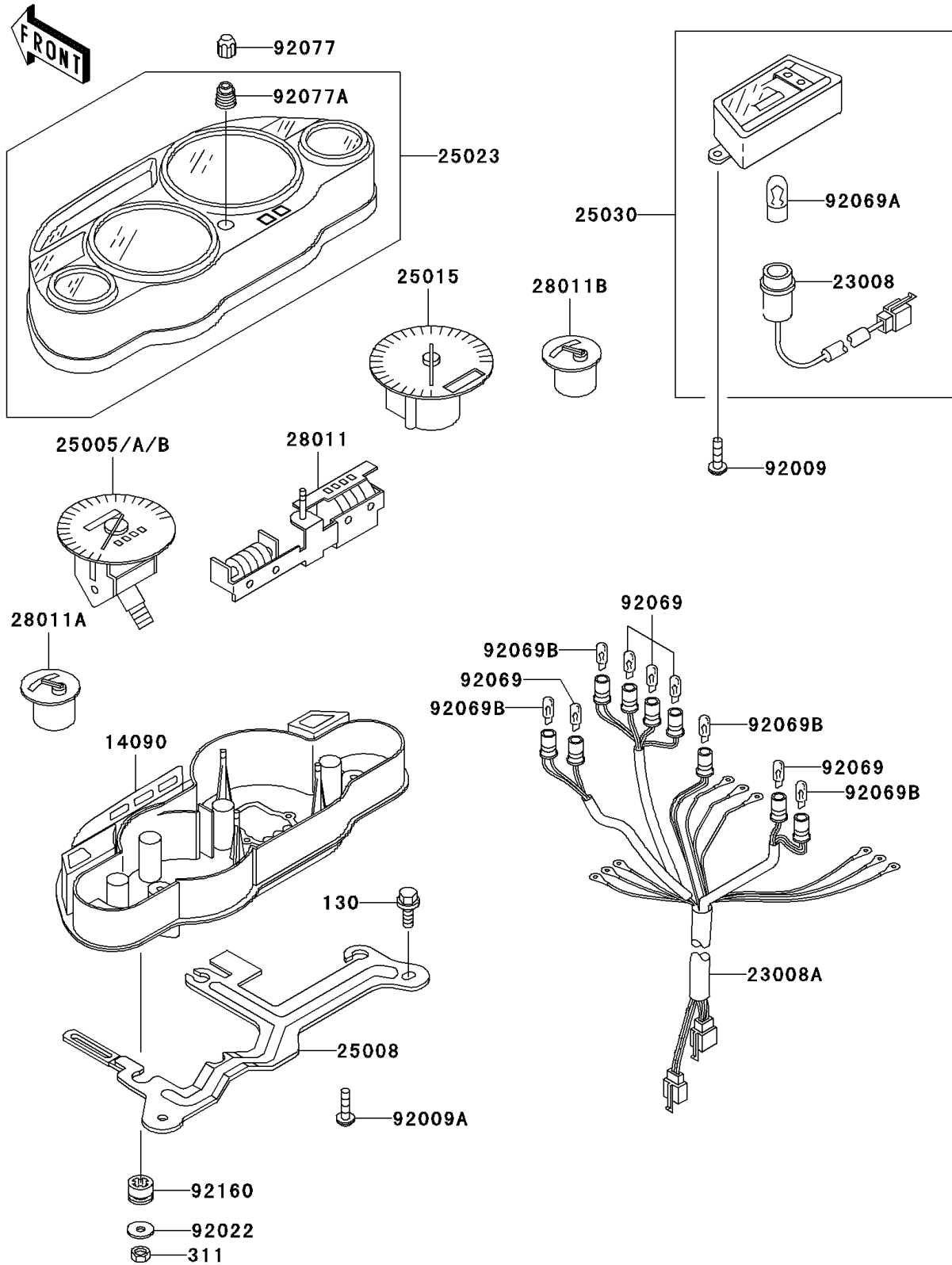


## 2002 Concours PARTS DIAGRAM

Meter(s)

F2530



## 2002 Concours PARTS LIST

Meter(s)

ITEM NAME	PART NUMBER	QUANTITY
BOLT-FLANGED,6X14,BLACK (Ref # 130)	130J0614	1
NUT-HEX,6MM (Ref # 311)	311B0600	1
COVER,METER HOUSING (Ref # 14090)	14090-1287	1
SOCKET-ASSY,DEGITAL CLOCK (Ref # 23008)	23008-1529	1
SOCKET-ASSY,METER (Ref # 23008A)	23008-1534	1
BRACKET-METER (Ref # 25008)	25008-1199	1
TACHOMETER,X1000R/MIN (Ref # 25015)	25015-1329	1
COVER-METER CASE,UPP (Ref # 25023)	25023-1201	1
CLOCK,DEGITAL (Ref # 25030)	25030-1002	1
METER,TRIP (Ref # 28011)	28011-1130	1
METER,FUEL (Ref # 28011A)	28011-1145	1
METER,TEMP (Ref # 28011B)	28011-1146	1
SCREW,TAPPING,4X16 (Ref # 92009)	92009-1163	1
SCREW,TAPPING,4X14 (Ref # 92009A)	92009-1503	1
WASHER,6.2X18X1.2 (Ref # 92022)	92022-1369	1
BULB,12V 3.4W,T10 (Ref # 92069)	92069-1007	1
BULB,12V 3W,T7 (Ref # 92069A)	92069-1020	1
BULB,12V 1.7W,T10 (Ref # 92069B)	92069-1059	1
KNOB,TRIP RESET (Ref # 92077)	92077-1094	1
KNOB,TRIP RESET (Ref # 92077A)	92077-1112	1
DAMPER (Ref # 92160)	92160-1461	1
SPEEDOMETER,MPH (Ref # 25005A)	25005-1559	1
SPEEDOMETER,KPH (Ref # 25005B)	25005-1705	1