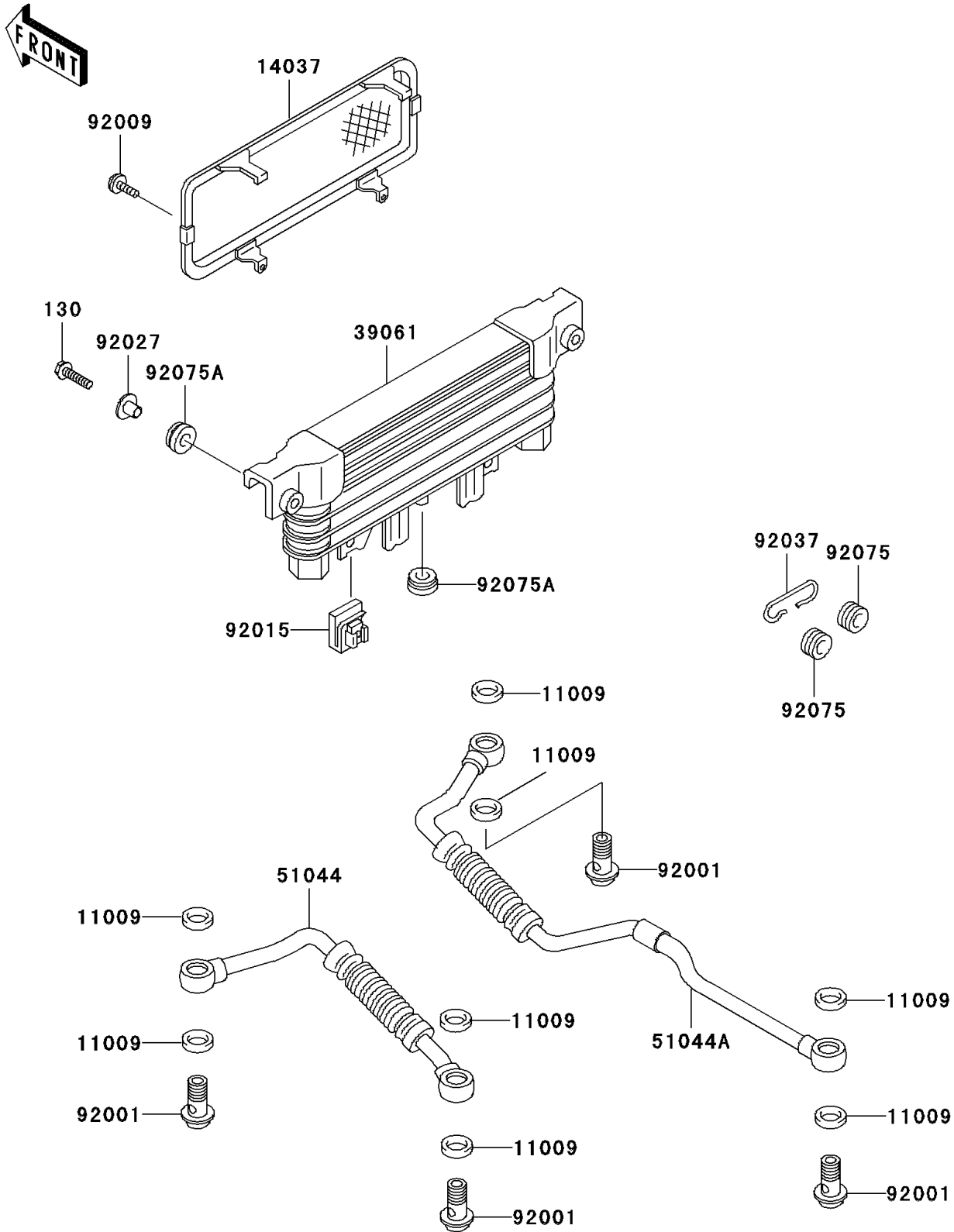


2002 Concours PARTS DIAGRAM

Oil Cooler

E3034



2002 Concours PARTS LIST

Oil Cooler

| ITEM NAME | PART NUMBER | QUANTITY |
|---|-------------|----------|
| BOLT-FLANGED,6X25 (Ref # 130) | 130J0625 | 1 |
| GASKET,14X19.5X1.4 (Ref # 11009) | 11009-1461 | 1 |
| SCREEN,OIL COOLER (Ref # 14037) | 14037-1073 | 1 |
| OIL COOLER (Ref # 39061) | 39061-1117 | 1 |
| TUBE-ASSY,OIL COOLER,LH (Ref # 51044) | 51044-1068 | 1 |
| TUBE-ASSY,OIL COOLER,RH (Ref # 51044A) | 51044-1086 | 1 |
| BOLT,14X28.5 (Ref # 92001) | 92001-1930 | 1 |
| SCREW,TAPPING,6MM (Ref # 92009) | 92009-1261 | 1 |
| NUT,6MM (Ref # 92015) | 92015-1758 | 1 |
| COLLAR,FLANGED,L=12.1,BLACK (Ref # 92027) | 92027-1651 | 1 |
| CLAMP,OIL COOLER (Ref # 92037) | 92037-1905 | 1 |
| DAMPER,OIL COOLER (Ref # 92075) | 92075-1942 | 1 |
| DAMPER (Ref # 92075A) | 92075-277 | 1 |