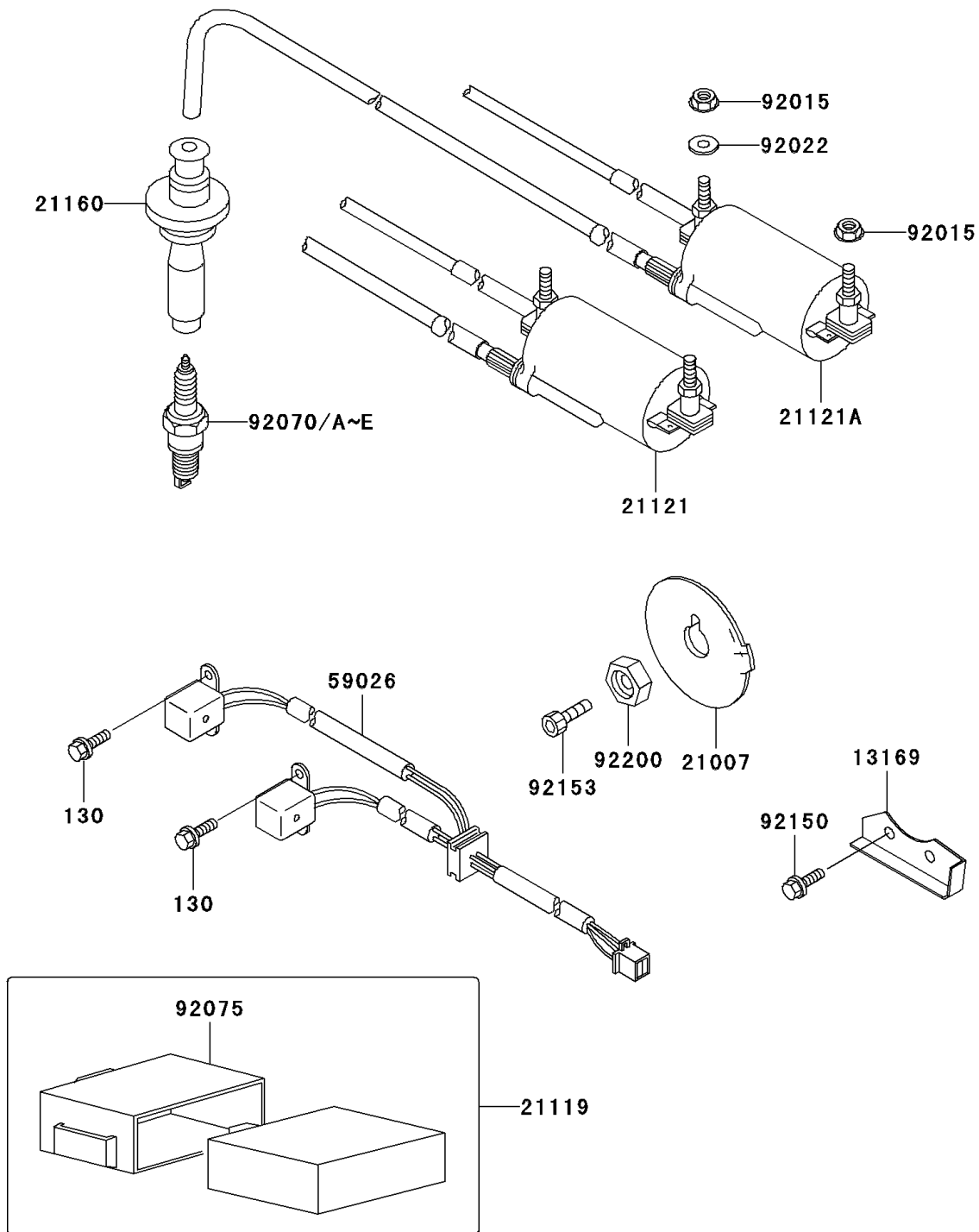


2002 Concours PARTS DIAGRAM

Ignition System

E1830



2002 Concours PARTS LIST

Ignition System

| ITEM NAME | PART NUMBER | QUANTITY |
|---------------------------------------|-------------|----------|
| BOLT-FLANGED (Ref # 130) | 130G0512 | 1 |
| PLATE,CHAIN GUIDE (Ref # 13169) | 13169-1748 | 1 |
| ROTOR,PULSING COIL (Ref # 21007) | 21007-1109 | 1 |
| IGNITER (Ref # 21119) | 21119-1110 | 1 |
| COIL-IGNITION,#1 (Ref # 21121) | 21121-1110 | 1 |
| COIL-IGNITION,#2 (Ref # 21121A) | 21121-1111 | 1 |
| CAP-ASSY-PLUG (Ref # 21160) | 21160-1065 | 1 |
| COIL-PULSING (Ref # 59026) | 59026-1061 | 1 |
| NUT,FLANGED,6MM (Ref # 92015) | 92015-1193 | 1 |
| WASHER,7X16X1.2 (Ref # 92022) | 92022-024 | 1 |
| PLUG-SPARK,X24ESR-U(ND) (Ref # 92070) | | 3 |
| PLUG-SPARK,DR7EA(NGK) (Ref # 92070C) | 92070-1165 | 1 |
| PLUG-SPARK,DR9EA(NGK) (Ref # 92070D) | 92070-1189 | 1 |
| PLUG-SPARK,DR8EA(NGK) (Ref # 92070E) | 92070-1199 | 1 |
| DAMPER,IGNITER (Ref # 92075) | 92075-1592 | 1 |
| BOLT,6X12 (Ref # 92150) | 92150-1841 | 1 |
| BOLT,M8X25 (Ref # 92153) | 92153-1191 | 1 |
| WASHER,ROTOR (Ref # 92200) | 92200-1173 | 1 |