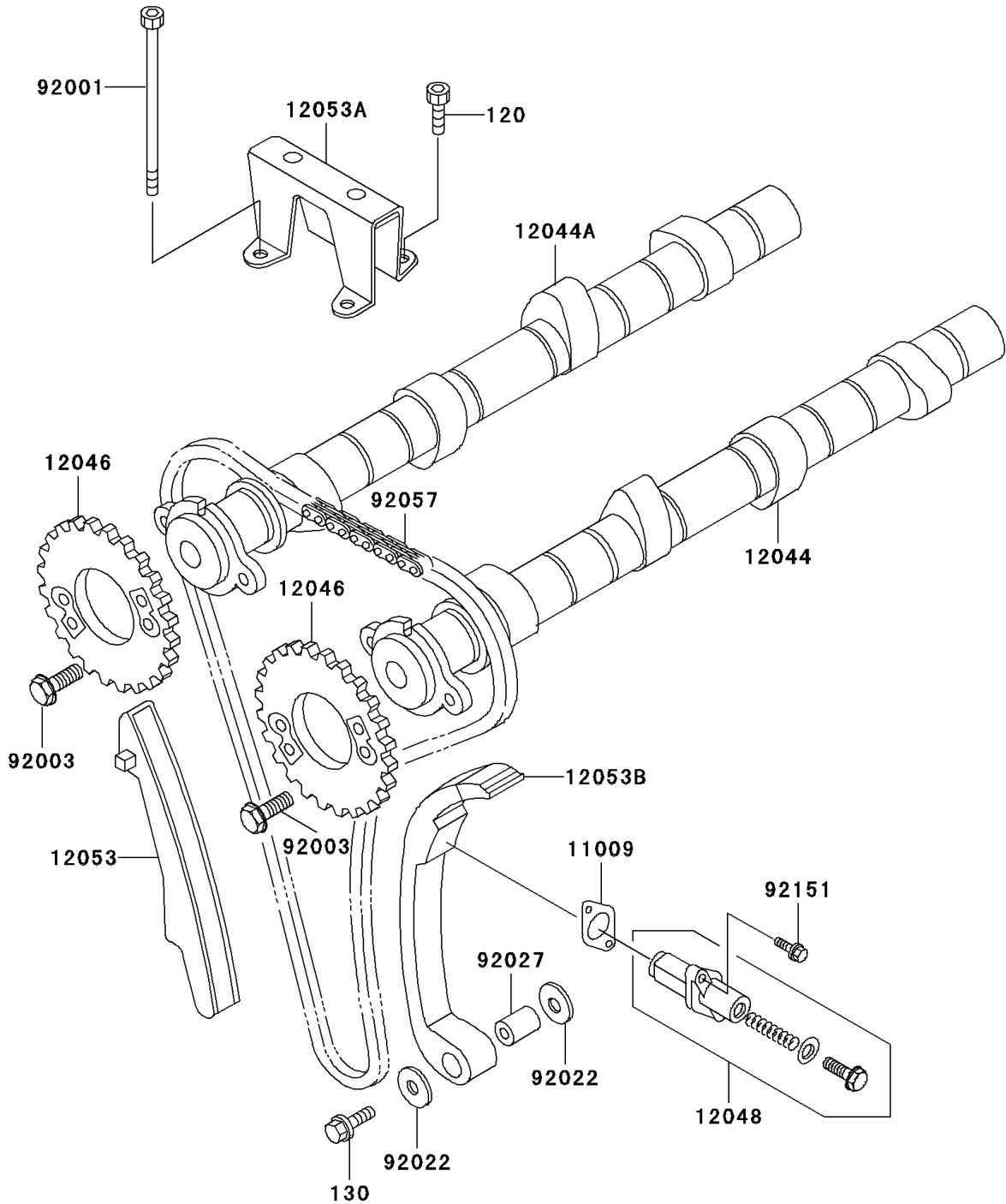


2002 Concours PARTS DIAGRAM

Camshaft(s)/Tensioner

E1230



2002 Concours PARTS LIST

Camshaft(s)/Tensioner

| ITEM NAME | PART NUMBER | QUANTITY |
|---------------------------------------|-------------|----------|
| BOLT-SOCKET,6X14 (Ref # 120) | 120P0614 | 1 |
| BOLT-FLANGED,8X35 (Ref # 130) | 130G0835 | 1 |
| GASKET,TENSIONER (Ref # 11009) | 11009-1858 | 1 |
| CAMSHAFT-VALVE,INTAKE (Ref # 12044) | 12044-1151 | 1 |
| CAMSHAFT-VALVE,EXHAUST (Ref # 12044A) | 12044-1152 | 1 |
| SPROCKET,CAMSHAFT,34T (Ref # 12046) | 12046-1082 | 1 |
| TENSIONER-ASSY (Ref # 12048) | 12048-1113 | 1 |
| GUIDE-CHAIN,FR (Ref # 12053) | 12053-1114 | 1 |
| GUIDE-CHAIN,UPP (Ref # 12053A) | 12053-1115 | 1 |
| GUIDE-CHAIN,RR (Ref # 12053B) | 12053-1239 | 1 |
| BOLT,6X118 (Ref # 92001) | 92001-1904 | 1 |
| BOLT,FLANGED,6X11 (Ref # 92003) | 92003-208 | 1 |
| WASHER,8.2X19X2 (Ref # 92022) | 92022-1533 | 1 |
| COLLAR,8.2X10.5X15.6 (Ref # 92027) | 92027-1763 | 1 |
| CHAIN,CAMSHAFT (Ref # 92057) | 92057-1160 | 1 |
| BOLT,6X25 (Ref # 92151) | 92151-1190 | 1 |