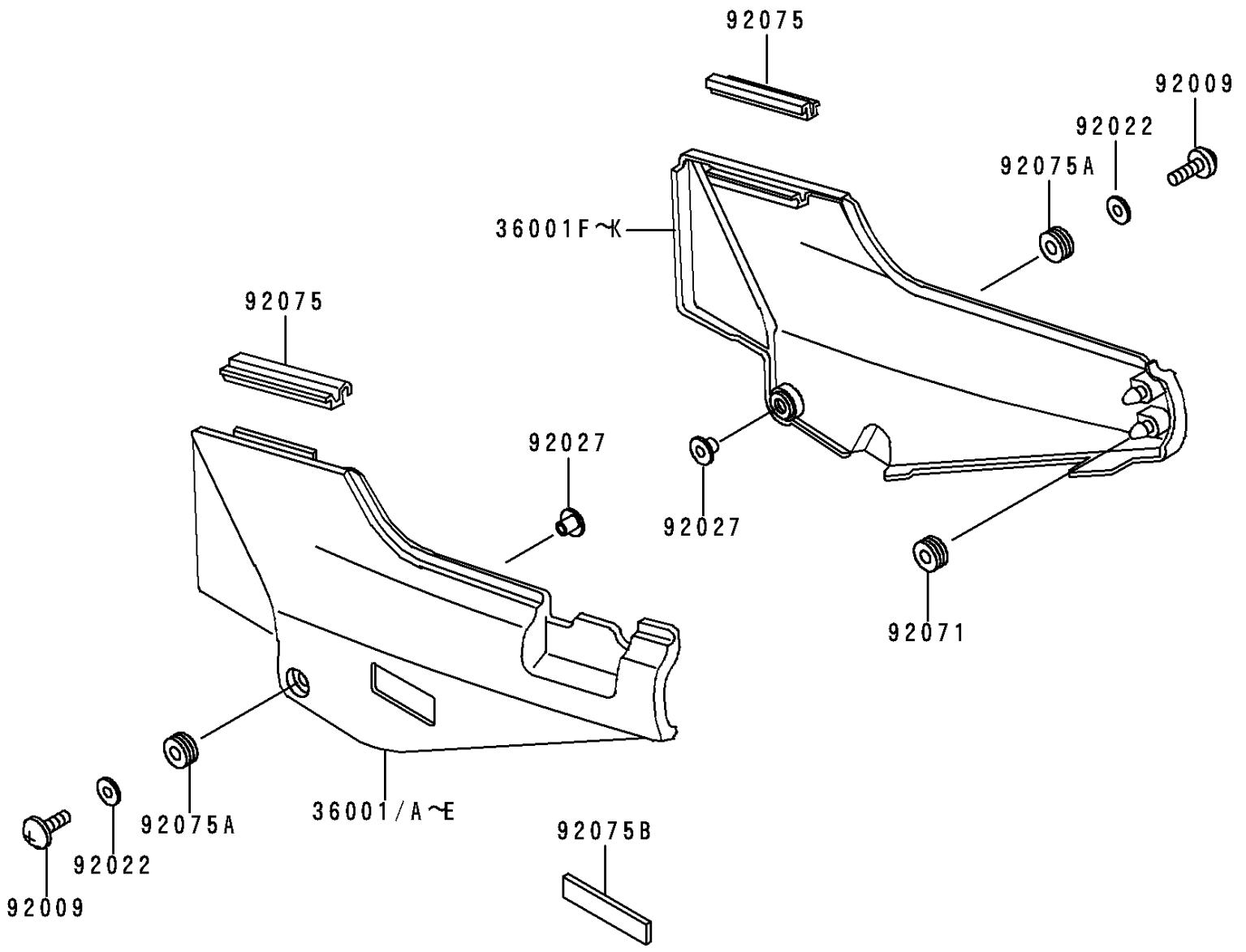


# 1998 Concours PARTS DIAGRAM

Side Covers

F2611



# 1998 Concours PARTS LIST

## Side Covers

ITEM NAME	PART NUMBER	QUANTITY
SCREW,6X18,BLACK (Ref # 92009)	92009-1181	2
WASHER,6.5X20X1.6,BLACK (Ref # 92022)	92022-1619	2
COLLAR,L=9.1,WHITE (Ref # 92027)	92027-1795	2
GROMMET (Ref # 92071)	92071-056	4
DAMPER,SIDE COVER (Ref # 92075)	92075-1601	2
DAMPER (Ref # 92075A)	92075-1634	2
DAMPER,SIDE COVER (Ref # 92075B)	92075-1854	1
COVER-SIDE,LH,GREEN/GRAY/BLACK (Ref # 36001C)	36001-1324-3J	1
COVER-SIDE,LH,GREEN/GRAY/BLACK (Ref # 36001D)	36001-1324-3U	1
COVER-SIDE,RH,GREEN/GRAY/BLACK (Ref # 36001I)	36001-1325-3J	1
COVER-SIDE,RH,GREEN/GRAY/BLACK (Ref # 36001J)	36001-1325-3U	1