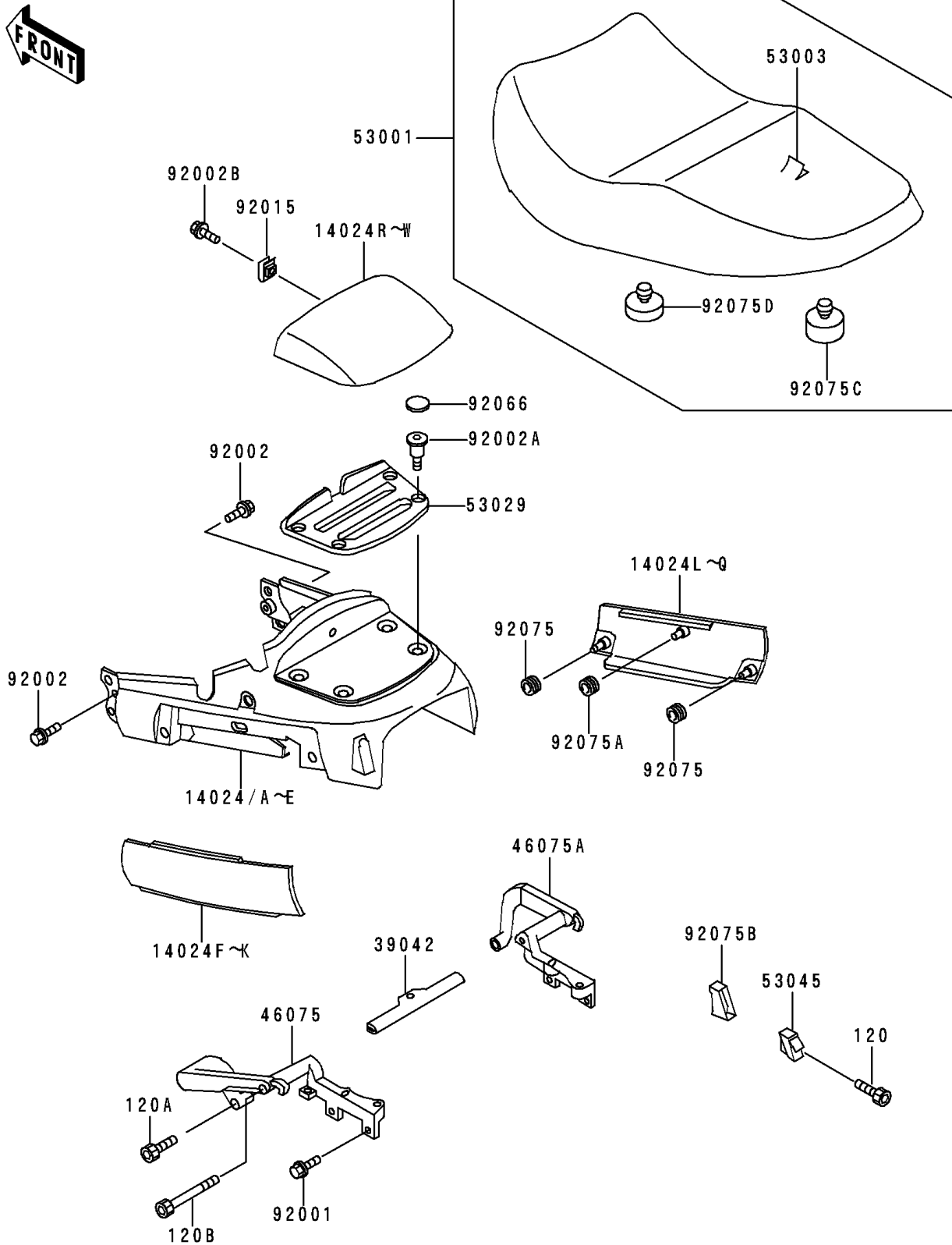


1999 Concours PARTS DIAGRAM

Seat

F2510



1999 Concours PARTS LIST

Seat

| ITEM NAME | PART NUMBER | QUANTITY |
|---|---------------|----------|
| BOLT-SOCKET,6X14 (Ref # 120) | 120P0614 | 2 |
| BOLT-SOCKET,8X25,BLACK (Ref # 120A) | 120S0825 | 2 |
| BOLT-SOCKET (Ref # 120B) | 120S0890 | 2 |
| CROSSMEMBER,SEAT GRIP (Ref # 39042) | 39042-1052 | 1 |
| GRIP,SEAT,RR,LH (Ref # 46075) | 46075-1070 | 1 |
| GRIP,SEAT,RR,RH (Ref # 46075A) | 46075-1071 | 1 |
| SEAT-ASSY,DUAL,BLACK (Ref # 53001) | 53001-1742-MA | 1 |
| LEATHER,SEAT,BLACK (Ref # 53003) | 53003-1289-MA | 1 |
| CARRIER,TAIL (Ref # 53029) | 53029-1069 | 1 |
| HOOK-ASSY,BUNGEE CORD (Ref # 53045) | 53045-1052 | 2 |
| BOLT,8X18 (Ref # 92001) | 92001-1359 | 4 |
| BOLT,6X25 (Ref # 92002) | 92002-1135 | 2 |
| BOLT,SOCKET,8X23.5 (Ref # 92002A) | 92002-1598 | 4 |
| BOLT,5MM (Ref # 92002B) | 92002-1724 | 1 |
| NUT,5MM (Ref # 92015) | 92015-1710 | 1 |
| PLUG (Ref # 92066) | 92066-1216 | 4 |
| DAMPER (Ref # 92075) | 92075-051 | 4 |
| DAMPER (Ref # 92075A) | 92075-1470 | 2 |
| DAMPER,BUNGEE CORD HOOK (Ref # 92075B) | 92075-1823 | 2 |
| DAMPER (Ref # 92075C) | 92075-1876 | 2 |
| DAMPER (Ref # 92075D) | 92075-281 | 5 |
| COVER,SEAT,A.RED MICA (Ref # 14024B) | 14024-1224-1Q | 1 |
| COVER,SEAT,C.A.RED MICA (Ref # 14024C) | 14024-1224-2D | 1 |
| COVER,SEAT COVER,LH,A.RED MICA (Ref # 14024H) | 14024-1225-1Q | 1 |
| COVER,SEAT COVER,LH,RED MICA (Ref # 14024I) | 14024-1225-2D | 1 |
| COVER,SEAT COVER,RH,A.RED MICA (Ref # 14024N) | 14024-1226-1Q | 1 |
| COVER,SEAT COVER,RH,RED MICA (Ref # 14024O) | 14024-1226-2D | 1 |
| COVER,CARRIER,A.RED MICA (Ref # 14024T) | 14024-1227-1Q | 1 |
| COVER,CARRIER,C.A.RED MICA (Ref # 14024U) | 14024-1227-2D | 1 |