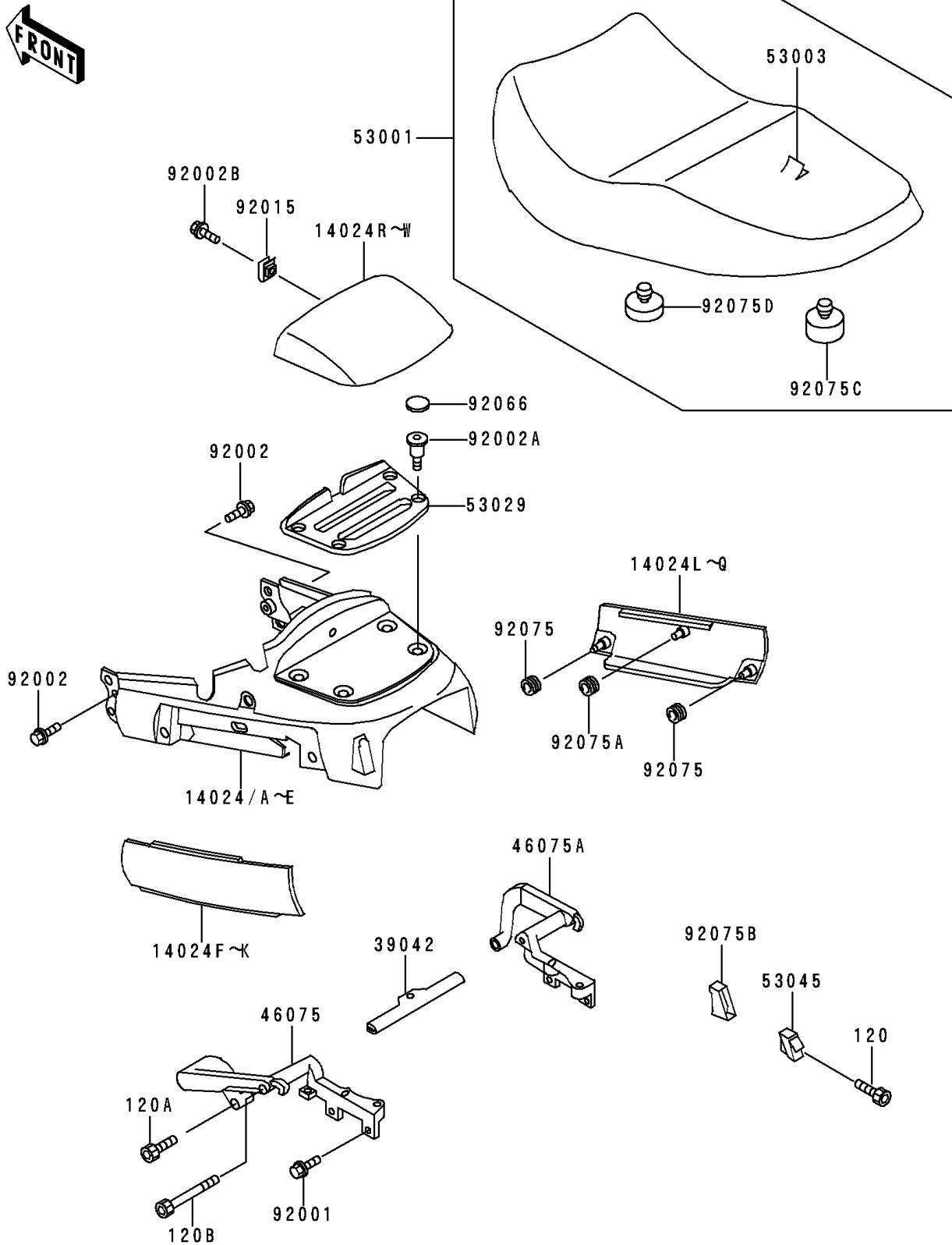


1996 Concours (Canada Only) PARTS DIAGRAM

Seat

F2510



1996 Concours (Canada Only) PARTS LIST

Seat

ITEM NAME	PART NUMBER	QUANTITY
COVER,SEAT,L.V.RED (Ref # 14024A)	14024-1224-P5	1
COVER,SEAT COVER,LH,L.V.RED (Ref # 14024G)	14024-1225-P5	1
COVER,SEAT COVER,RH,L.V.RED (Ref # 14024M)	14024-1226-P5	1
COVER,CARRIER,L.V.RED (Ref # 14024S)	14024-1227-P5	1
BOLT-SOCKET,6X14 (Ref # 120)	120P0614	2
BOLT-SOCKET,8X25,BLACK (Ref # 120A)	120S0825	2
BOLT-SOCKET (Ref # 120B)	120S0890	2
CROSSMEMBER,SEAT GRIP (Ref # 39042)	39042-1052	1
GRIP,SEAT,RR,LH (Ref # 46075)	46075-1070	1
GRIP,SEAT,RR,RH (Ref # 46075A)	46075-1071	1
SEAT-ASSY,DUAL,BLACK (Ref # 53001)	53001-1742-MA	1
LEATHER,SEAT,BLACK (Ref # 53003)	53003-1289-MA	1
CARRIER,TAIL (Ref # 53029)	53029-1069	1
HOOK-ASSY,BUNGEE CORD (Ref # 53045)	53045-1052	2
BOLT,8X18 (Ref # 92001)	92001-1359	4
BOLT,6X25 (Ref # 92002)	92002-1135	2
BOLT,SOCKET,8X23.5 (Ref # 92002A)	92002-1598	4
BOLT,5MM (Ref # 92002B)	92002-1724	1
NUT,5MM (Ref # 92015)	92015-1710	1
PLUG (Ref # 92066)	92066-1216	4
DAMPER (Ref # 92075)	92075-051	4
DAMPER (Ref # 92075A)	92075-1470	2
DAMPER,BUNGEE CORD HOOK (Ref # 92075B)	92075-1823	2
DAMPER (Ref # 92075C)	92075-1876	2
DAMPER (Ref # 92075D)	92075-281	5