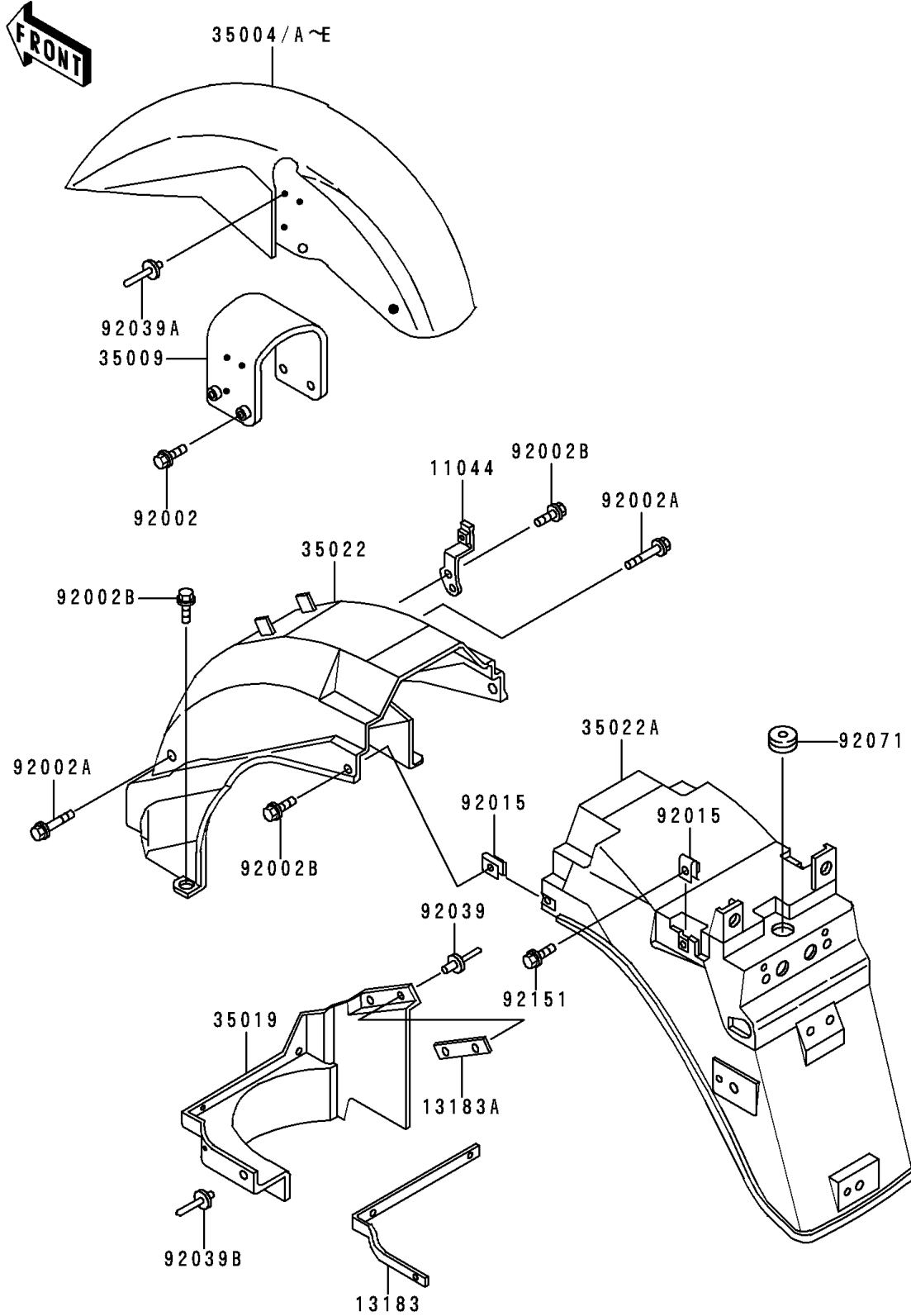


# 1999 Concours PARTS DIAGRAM

Fenders

F2170



# 1999 Concours PARTS LIST

## Fenders

| ITEM NAME                                | PART NUMBER   | QUANTITY |
|--|---------------|----------|
| BRACKET,RR BRAKE RESERVOIR (Ref # 11044) | 11044-1782    | 1        |
| PLATE,REAR FENDER FLAP,LH (Ref # 13183)  | 13183-1021    | 1        |
| PLATE,REAR FENDER FLAP,RH (Ref # 13183A) | 13183-1022    | 1        |
| BRACE,FRONT FENDER (Ref # 35009)         | 35009-1101    | 1        |
| FLAP,REAR FENDER,FR (Ref # 35019)        | 35019-1183    | 1        |
| FENDER-COMP-REAR,FR (Ref # 35022)        | 35022-1223    | 1        |
| FENDER-COMP-REAR,RR,BLACK (Ref # 35022A) | 35022-1224-6Z | 1        |
| BOLT,FLANGED,8X20 (Ref # 92002)          | 92002-1134    | 4        |
| BOLT,6X55 (Ref # 92002A)                 | 92002-1707    | 2        |
| BOLT,6X16 (Ref # 92002B)                 | 92002-1852    | 5        |
| NUT,6MM (Ref # 92015)                    | 92015-1602    | 4        |
| RIVET (Ref # 92039)                      | 92039-1147    | 5        |
| RIVET (Ref # 92039A)                     | 92039-1230    | 6        |
| RIVET (Ref # 92039B)                     | 92039-1231    | 1        |
| GROMMET,SENSOR LEAD (Ref # 92071)        | 92071-1058    | 1        |
| BOLT (Ref # 92151)                       | 92151-1056    | 2        |
| FENDER-FRONT,A.RED MICA (Ref # 35004B)   | 35004-1324-1Q | 1        |
| FENDER-FRONT,C.A.RED MICA (Ref # 35004C) | 35004-1324-2D | 1        |