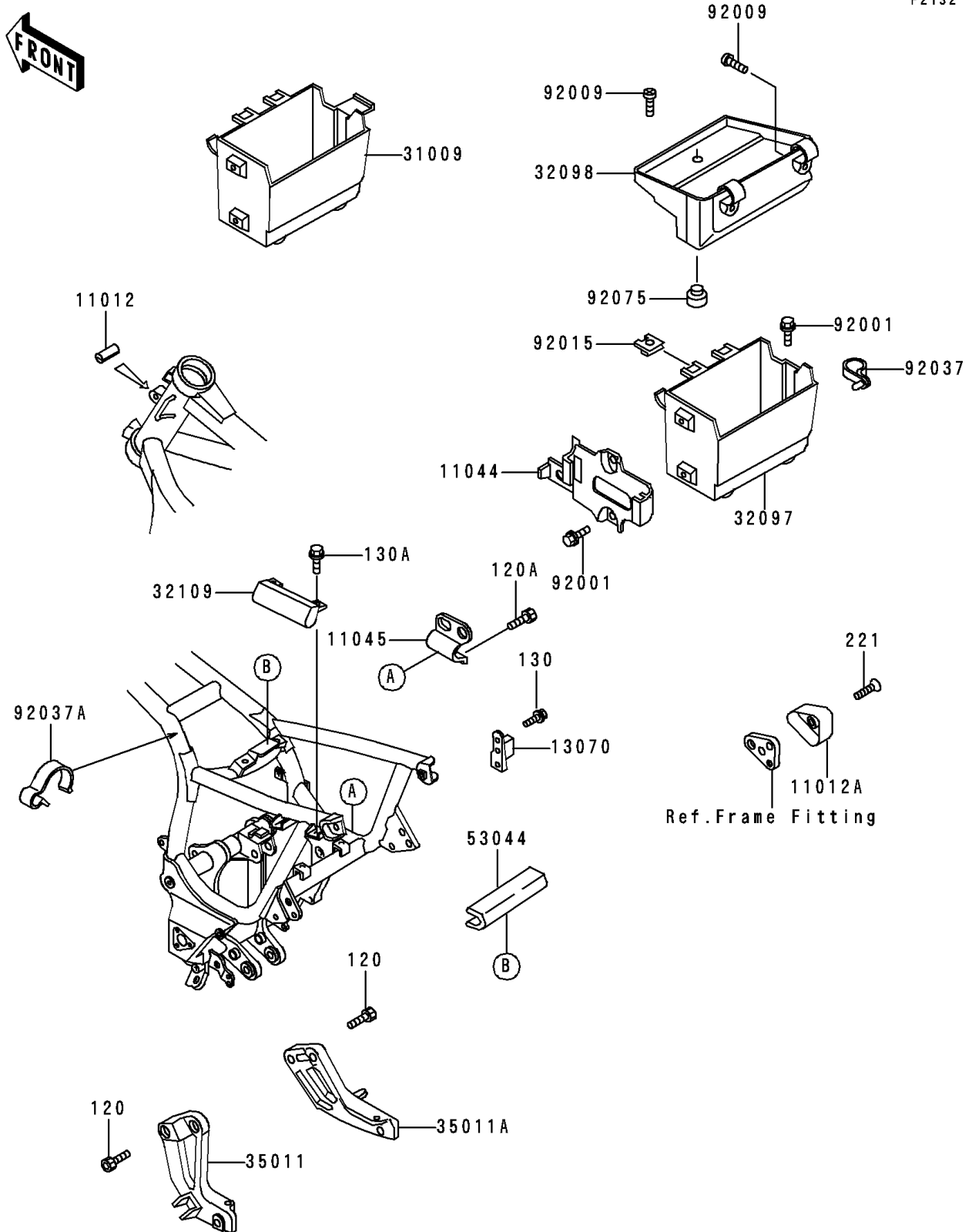


1999 Concours PARTS DIAGRAM

Battery Case

F2132



1999 Concours PARTS LIST

Battery Case

| ITEM NAME | PART NUMBER | QUANTITY |
|---|-------------|----------|
| BOLT-SOCKET (Ref # 120) | 120P0816 | 4 |
| BOLT-SOCKET,6X14,BLACK (Ref # 120A) | 120S0614 | 2 |
| BOLT-FLANGED (Ref # 130A) | 130J0812 | 2 |
| SCREW-CSK-CROS (Ref # 221) | 221C0620 | 1 |
| CAP (Ref # 11012) | 11012-1438 | 1 |
| CAP,ENGINE BRACKET (Ref # 11012A) | 11012-1531 | 1 |
| BRACKET,MAGNETIC SWITCH (Ref # 11044) | 11044-1642 | 1 |
| BRACKET,REARSHOCK ADJUST KNOB (Ref # 11045) | 11045-1118 | 1 |
| CASE-TOOL (Ref # 32098) | 32098-1068 | 1 |
| GRIP-FRAME,LH (Ref # 32109) | 32109-1136 | 1 |
| STAY,MUFFLER&REAR STEP,LH (Ref # 35011) | 35011-1293 | 1 |
| STAY,MUFFLER&REAR STEP,RH (Ref # 35011A) | 35011-1294 | 1 |
| TRIM (Ref # 53044) | 53044-1174 | 1 |
| BOLT,6X12 (Ref # 92001) | 92001-1771 | 4 |
| SCREW,6X14 (Ref # 92009) | 92009-1662 | 4 |
| NUT,6MM (Ref # 92015) | 92015-1602 | 2 |
| CLAMP,SPEED,L=43 (Ref # 92037) | 92037-1290 | 1 |
| DAMPER (Ref # 92075) | 92075-1045 | 1 |
| BOLT-FLANGED,6X10,BLACK (Ref # 130) | 130C0610 | 2 |
| GUIDE,HOSE (Ref # 13070) | 13070-1160 | 1 |
| CASE-COMP-BATTERY (Ref # 31009) | 31009-1052 | 1 |
| CASE-BATTERY (Ref # 32097) | 32097-1124 | 1 |
| CLAMP,HOSE (Ref # 92037A) | 92037-1552 | 2 |