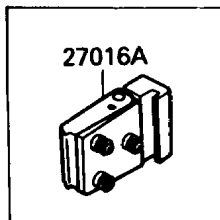
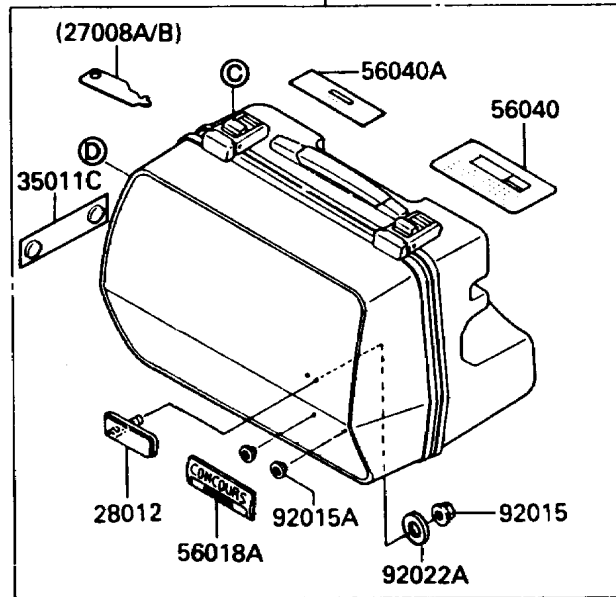
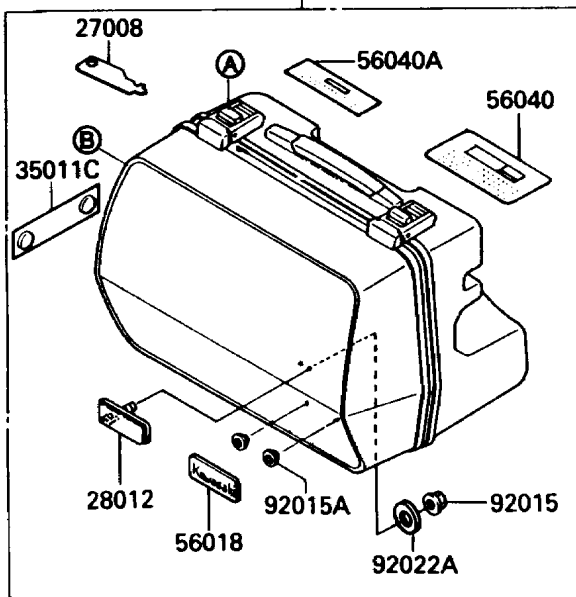
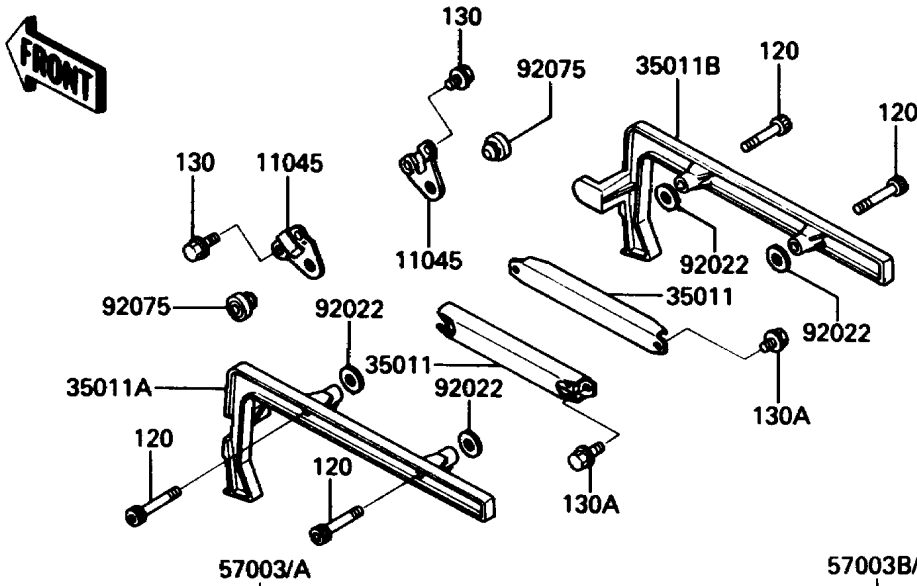


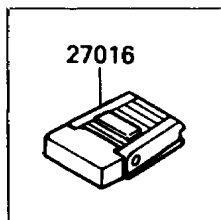
## 1986 Concours PARTS DIAGRAM

Accessory

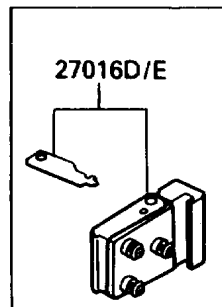
F2910-0035



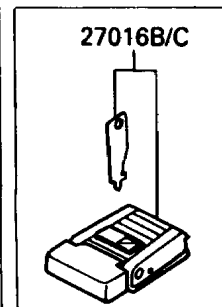
B



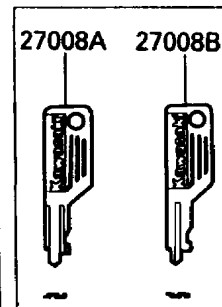
A



D



C



## 1986 Concours PARTS LIST

Accessory

ITEM NAME	PART NUMBER	QUANTITY
BRACKET,SIDE BAG STOPPER (Ref # 11045)	11044-1918	1
KEY-LOCK,SIDE BAG (Ref # 27008)	27008-1120	1
LOCK-ASSY,SIDE BAG (Ref # 27016)	27016-1063	1
LOCK-ASSY,SIDE BAG MOUNT (Ref # 27016A)	27016-1064	1
REFLECTOR-REFLEX (Ref # 28012)	28012-1057	1
STAY,BAG (Ref # 35011)	35011-1299	1
STAY,BAG,LH (Ref # 35011A)	35011-1300	1
STAY,BAG,RH (Ref # 35011B)	35011-1301	1
STAY,SIDE BAG (Ref # 35011C)	35011-1302	1
MARK,SIDE BAG,KAWASAKI (Ref # 56018)	56018-1863	1
LABEL-WARNING,SIDE BAG,PAYLOAD (Ref # 56040)	56040-1178	1
LABEL-WARNING,SIDE BAG,LOCK (Ref # 56040A)	56040-1192	1
BAG-ASSY,SIDE,LH (Ref # 57003)	57003-1056	1
BAG-ASSY,SIDE,RH (Ref # 57003A)	57003-1057	1
NUT,LOCK 5MM (Ref # 92015)	92015-1263	1
NUT,PUSH,3MM (Ref # 92015A)	92018-005	1
WASHER,8.5X20X1.6,BLACK (Ref # 92022)	92022-1317	1
WASHER,NYLON,5.3X11.5X1.5 (Ref # 92022A)	92022-1521	1
DAMPER (Ref # 92075)	92075-1859	1
BOLT-SOCKET (Ref # 120)	120S0860	1
BOLT-FLANGED,6X12 (Ref # 130)	130G0612	1
BOLT-FLANGED,8X16,BLACK (Ref # 130A)	130J0816	1