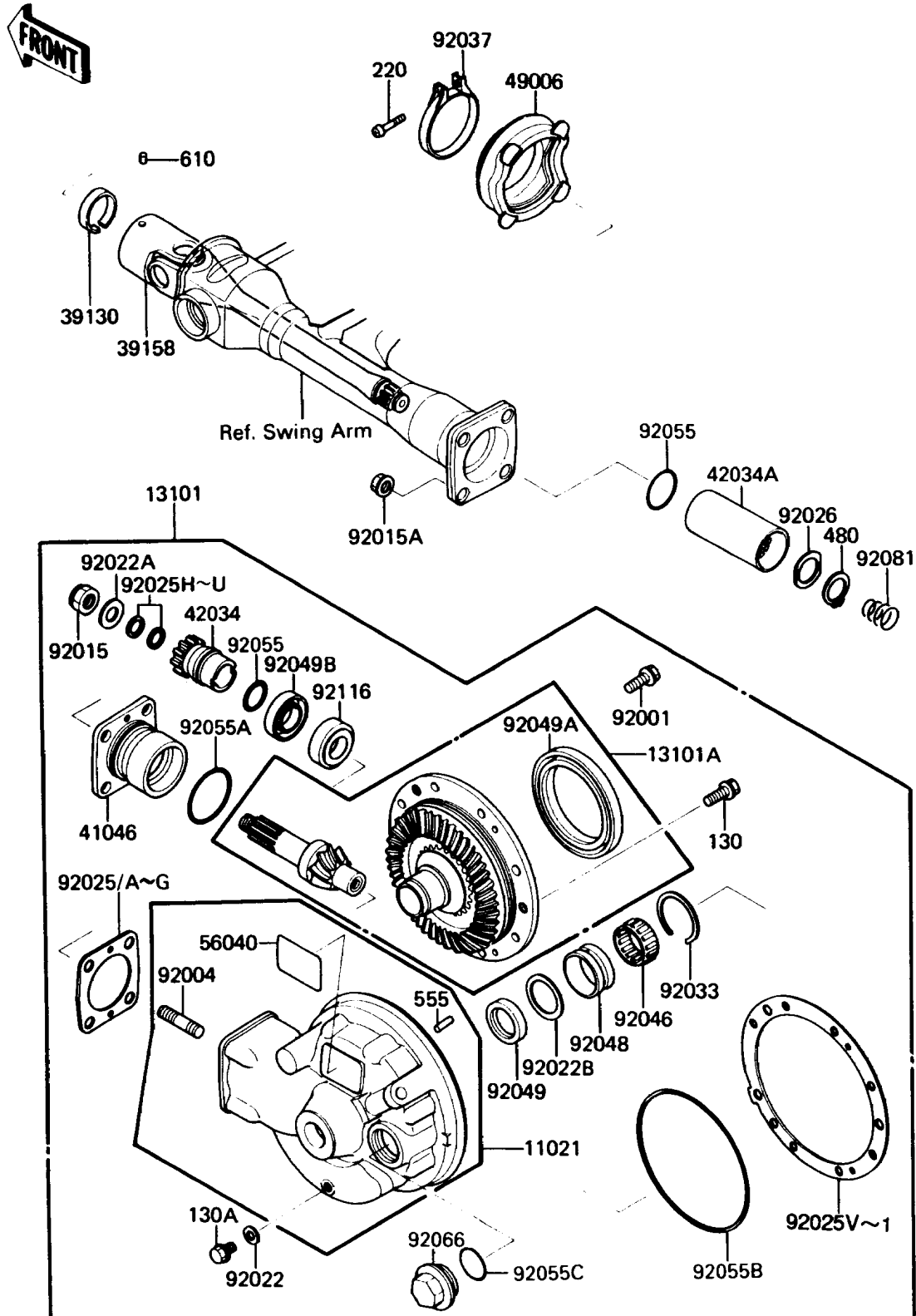


1987 Concours PARTS DIAGRAM

Drive Shaft/Final Gear

E3132-0014



1987 Concours PARTS LIST

Drive Shaft/Final Gear

| ITEM NAME | PART NUMBER | QUANTITY |
|---|---------------|----------|
| CASE-ASSY,FINAL GEAR,M.SILVER (Ref # 11021) | 11021-1063-7J | 1 |
| GEAR-ASSY,FINAL,M.SILVER (Ref # 13101) | 13101-1099-7J | 1 |
| GEAR-ASSY,FINAL BEVEL (Ref # 13101A) | 13101-5063 | 1 |
| SPRING-LEAF (Ref # 39130) | 39130-1002 | 1 |
| SHAFT-ASSY-DRIVE (Ref # 39158) | 39158-1059 | 1 |
| HOUSING-BEARING,BLACK (Ref # 41046) | 41046-1069 | 1 |
| COUPLING (Ref # 42034) | 42034-1079 | 1 |
| COUPLING,PROPELLER SHAFT,OUTER (Ref # 42034A) | 42034-1092 | 1 |
| BOOT (Ref # 49006) | 49006-1188 | 1 |
| LABEL-WARNING,OIL (Ref # 56040) | 56040-1047 | 1 |
| BOLT,FLANGED,10X23 (Ref # 92001) | 92001-1778 | 1 |
| STUD,10X30,BLACK (Ref # 92004) | 92004-1045 | 1 |
| NUT,16MM (Ref # 92015) | 92015-1059 | 1 |
| NUT,FLANGED,10MM (Ref # 92015A) | 92015-1180 | 1 |
| WASHER,8.2X16X1 (Ref # 92022) | 92022-1086 | 1 |
| WASHER,16X32X3.2 (Ref # 92022A) | 92022-1105 | 1 |
| WASHER,39X49.5X1 (Ref # 92022B) | 92022-1294 | 1 |
| SHIM,T=0.15 (Ref # 92025) | 92025-1052 | 1 |
| SHIM,T=0.10 (Ref # 92025a) | 92025-1625 | 1 |
| SHIM,T=0.50 (Ref # 92025A) | 92025-1053 | 1 |
| SHIM,T=0.60 (Ref # 92025B) | 92025-1054 | 1 |
| SHIM,T=0.70 (Ref # 92025C) | 92025-1055 | 1 |
| SHIM,T=0.80 (Ref # 92025D) | 92025-1056 | 1 |
| SHIM,T=0.90 (Ref # 92025E) | 92025-1057 | 1 |
| SHIM,T=1.00 (Ref # 92025F) | 92025-1058 | 1 |
| SHIM,T=1.20 (Ref # 92025G) | 92025-1059 | 1 |
| SHIM,T=1.30 (Ref # 92025H) | 92025-1214 | 1 |
| SHIM,T=1.32 (Ref # 92025I) | 92025-1215 | 1 |
| SHIM,T=1.34 (Ref # 92025J) | 92025-1216 | 1 |

1987 Concours PARTS LIST

Drive Shaft/Final Gear

| ITEM NAME | PART NUMBER | QUANTITY |
|--|-------------|----------|
| SHIM,T=1.36 (Ref # 92025K) | 92025-1217 | 1 |
| SHIM,T=1.38 (Ref # 92025L) | 92025-1218 | 1 |
| SHIM,T=0.10 (Ref # 92025M) | 92025-1219 | 1 |
| SHIM,T=0.20 (Ref # 92025N) | 92025-1220 | 1 |
| SHIM,T=0.30 (Ref # 92025O) | 92025-1221 | 1 |
| SHIM,T=0.50 (Ref # 92025P) | 92025-1222 | 1 |
| SHIM,T=0.60 (Ref # 92025Q) | 92025-1223 | 1 |
| SHIM,T=0.70 (Ref # 92025R) | 92025-1224 | 1 |
| SHIM,T=0.80 (Ref # 92025S) | 92025-1225 | 1 |
| SHIM,T=0.90 (Ref # 92025T) | 92025-1226 | 1 |
| SHIM,T=1.00 (Ref # 92025U) | 92025-1227 | 1 |
| SHIM,T=0.15 (Ref # 92025b) | 92025-1626 | 1 |
| SHIM,T=0.20 (Ref # 92025c) | 92025-1627 | 1 |
| SHIM,T=0.30 (Ref # 92025d) | 92025-1628 | 1 |
| SHIM,T=0.60 (Ref # 92025e) | 92025-1629 | 1 |
| SHIM,T=0.90 (Ref # 92025f) | 92025-1630 | 1 |
| SHIM,T=1.20 (Ref # 92025g) | 92025-1631 | 1 |
| SPACER,PROPELLER SHAFT (Ref # 92026) | 92026-1085 | 1 |
| RING-SNAP,52MM (Ref # 92033) | 92033-1074 | 1 |
| CLAMP,BOOT FITTING (Ref # 92037) | 92037-1112 | 1 |
| BEARING-NEEDLE,KTV384620E01 C3 (Ref # 92046) | 92046-1057 | 1 |
| RACE,ORT465021E01 (Ref # 92048) | 92048-1019 | 1 |
| SEAL-OIL,S-35477HS (Ref # 92049) | 92049-1025 | 1 |
| SEAL-OIL,S-901159HS (Ref # 92049A) | 92049-1026 | 1 |
| SEAL-OIL,SC32487 (Ref # 92049B) | 92049-1033 | 1 |
| RING-O,ID=32.7 (Ref # 92055) | 92055-1037 | 1 |
| RING-O,ID=57.6 (Ref # 92055A) | 92055-1038 | 1 |
| RING-O,154MM (Ref # 92055B) | 92055-1165 | 1 |
| RING-O,35.8MM (Ref # 92055C) | 92055-1281 | 1 |

1987 Concours PARTS LIST

Drive Shaft/Final Gear

| ITEM NAME | PART NUMBER | QUANTITY |
|--|---------------|----------|
| PLUG,OIL FILLER CAP,M.SILVER (Ref # 92066) | 92066-1006-7J | 1 |
| SPRING,PROPELLER SHAFT (Ref # 92081) | 92081-1183 | 1 |
| BEARING-ROLLER,4T32005X (Ref # 92116) | 92116-1004 | 1 |
| BOLT-FLANGED,8X25 (Ref # 130) | 130G0825 | 1 |
| BOLT-FLANGED (Ref # 130A) | 130X0812 | 1 |
| SCREW-PAN-CROS (Ref # 220) | 220B0430 | 1 |
| CIRCLIP-TYPE-C,26MM (Ref # 480) | 480J2600 | 1 |
| PIN-SPRING (Ref # 555) | 555A0428 | 1 |
| ROLLER,4X6 (Ref # 610) | 610A0406 | 1 |