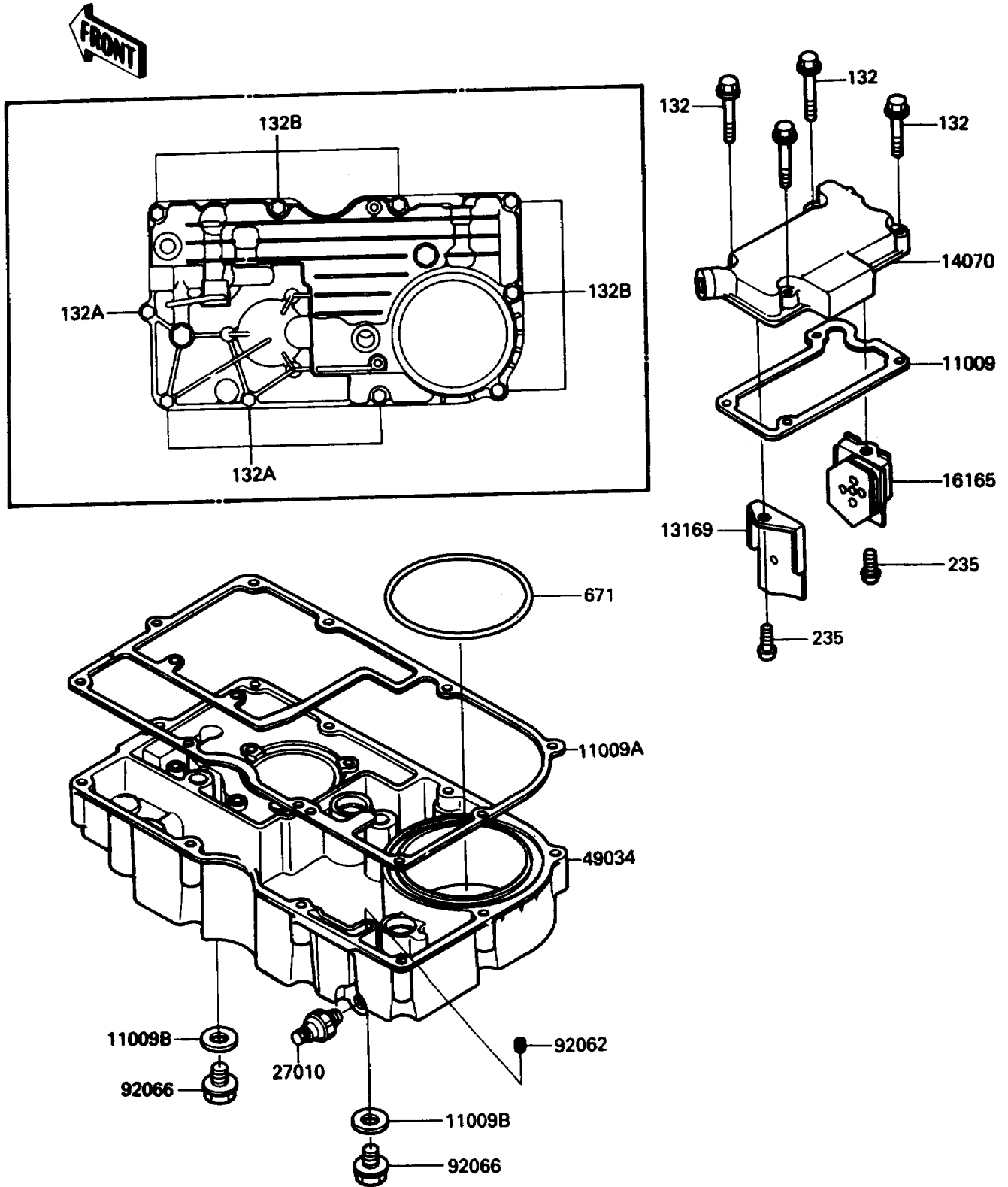


1986 Concours PARTS DIAGRAM

Breather Cover/Oil Pan

E1432-0035



1986 Concours PARTS LIST

Breather Cover/Oil Pan

| ITEM NAME | PART NUMBER | QUANTITY |
|--|-------------|----------|
| GASKET,BREATHER BODY (Ref # 11009) | 11009-1389 | 1 |
| GASKET,OIL PAN (Ref # 11009A) | 11009-1390 | 1 |
| GASKET,12X22X2,DRAIN PLUG (Ref # 11009B) | 92065-097 | 1 |
| PLATE,BREATHER (Ref # 13169) | 13169-1967 | 1 |
| BODY-BREATHER (Ref # 14070) | 14070-1061 | 1 |
| SEPARATOR,OIL (Ref # 16165) | 16165-1053 | 1 |
| SWITCH,OIL PRESSURE (Ref # 27010) | 27010-1155 | 1 |
| PAN-OIL (Ref # 49034) | 49034-1065 | 1 |
| NOZZLE,YELLOW (Ref # 92062) | 92062-1057 | 1 |
| PLUG,OIL DRAIN,12X15 (Ref # 92066) | 92066-1174 | 1 |
| BOLT-FLANGED-SMALL (Ref # 132) | 132E0625 | 1 |
| BOLT-FLANGED-SMALL (Ref # 132A) | 132W0625 | 1 |
| BOLT-FLANGED-SMALL (Ref # 132B) | 132W0640 | 1 |
| SCREW-PAN-WP-CROS (Ref # 235) | 235B0610 | 1 |
| O RING,90MM (Ref # 671) | 671B2590 | 1 |