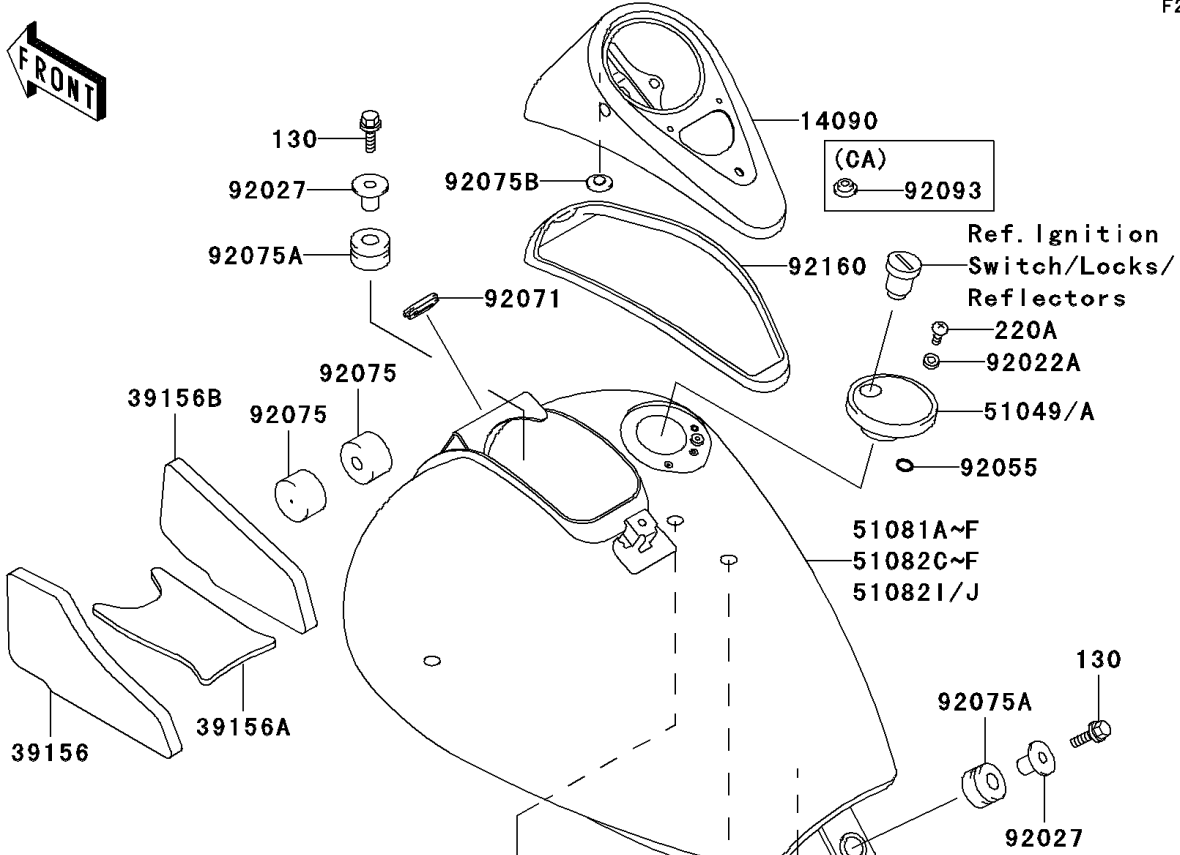


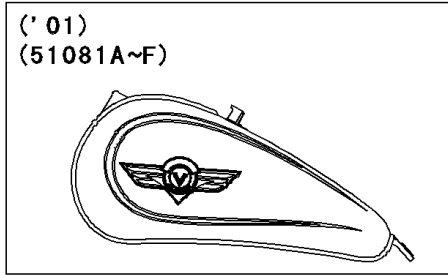
2002 Vulcan 800 Classic PARTS DIAGRAM

Fuel Tank(7/7)(VN800-B6/B7)

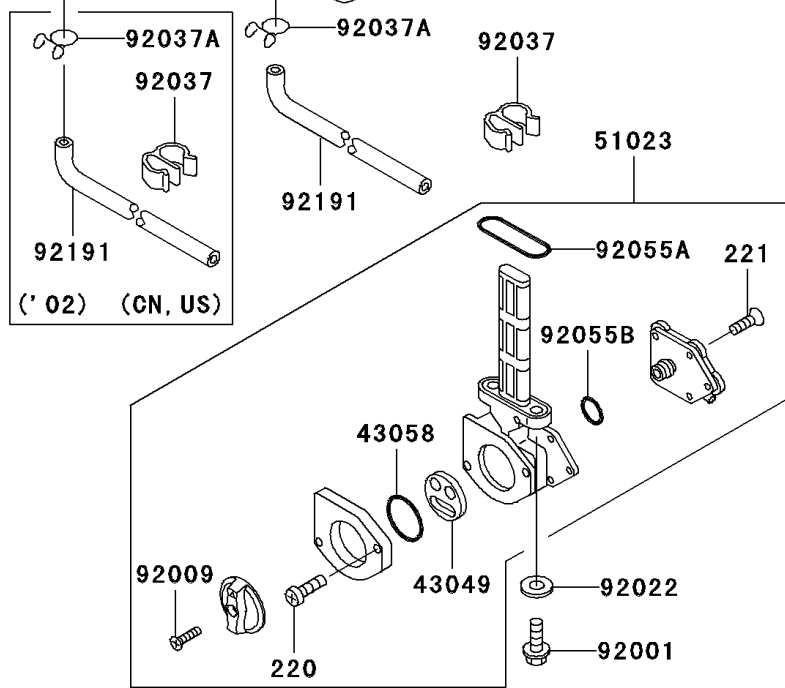
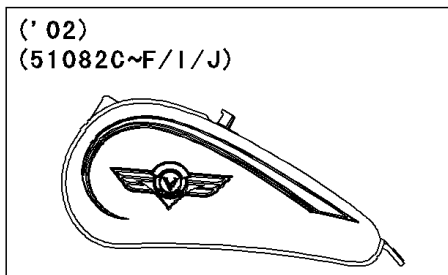
F2410



(51081A/B/E)	C. W. Red
(51081C/D/F)	M. N. Blue



(51082C/D/I)	C. C. Red
(51082E/F/J)	Violet



2002 Vulcan 800 Classic PARTS LIST

Fuel Tank(7/7)(VN800-B6/B7)

ITEM NAME	PART NUMBER	QUANTITY
-----------	-------------	----------