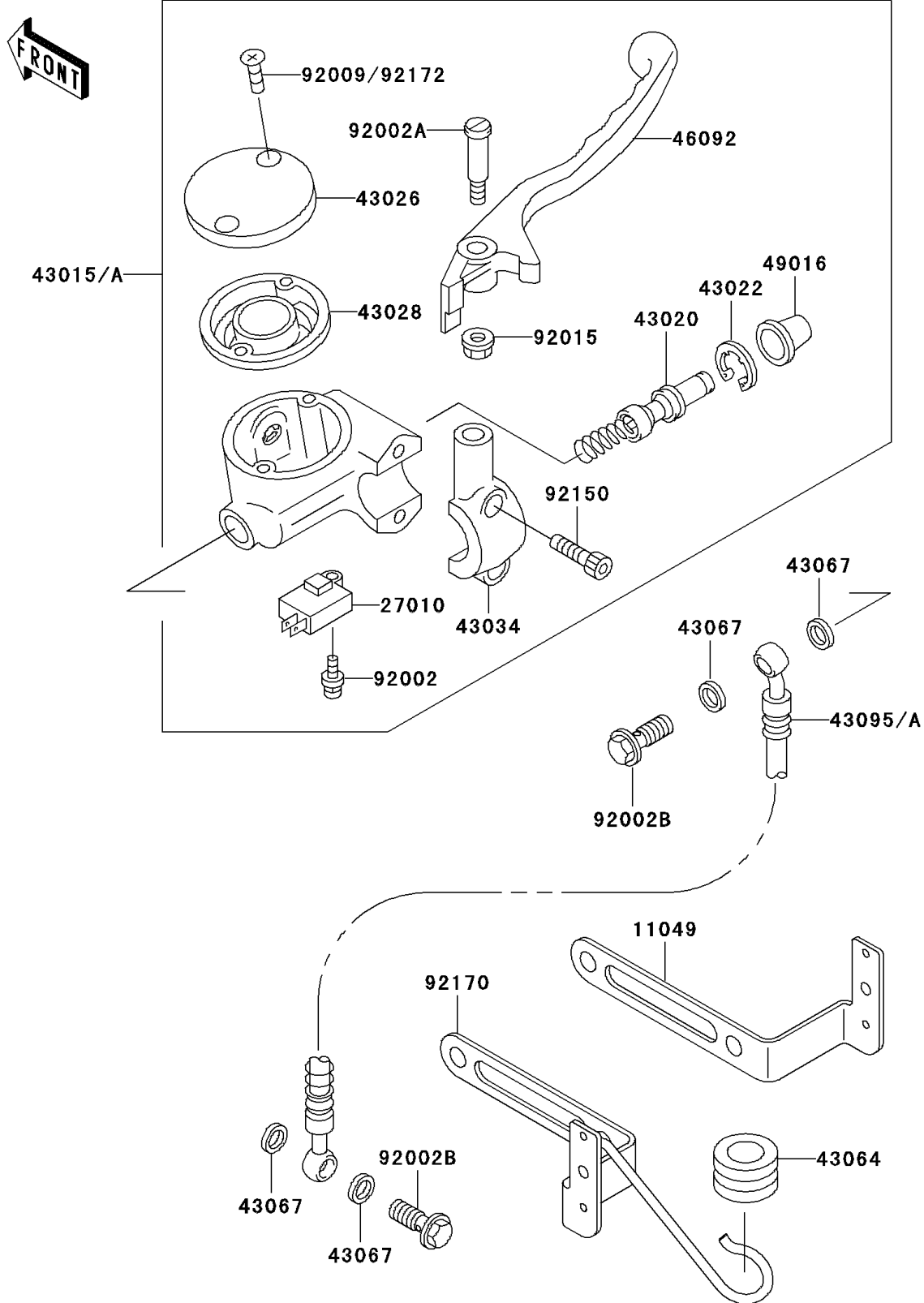


2002 Vulcan 800 Classic PARTS DIAGRAM

Front Master Cylinder

F2291



2002 Vulcan 800 Classic PARTS LIST

Front Master Cylinder

ITEM NAME	PART NUMBER	QUANTITY
BRACKET (Ref # 11049)	11049-1820	1
SWITCH,BRAKE (Ref # 27010)	27010-1170	1
CYLINDER-ASSY-MASTER,FR (Ref # 43015A)	43015-1511	1
PISTON-COMP-BRAKE (Ref # 43020)	43020-1098	1
STOPPER-BRAKE,PISTON (Ref # 43022)	43022-1010	1
CAP-BRAKE,SILVER (Ref # 43026)	43026-1078	1
DIAPHRAGM,MASTER CYLINDER (Ref # 43028)	43028-1071	1
HOLDER-BRAKE,SILVER (Ref # 43034)	43034-1102	1
GROMMET,HOSE CLAMP (Ref # 43064)	43064-006	1
WASHER,10.5X15X1.5 (Ref # 43067)	43067-001	4
HOSE-BRAKE,FR (Ref # 43095)	43095-1116	1
LEVER-GRIP,FRONT BRAKE (Ref # 46092)	46092-1172	1
COVER-SEAL,MASTER CYLINDER (Ref # 49016)	49016-1044	1
BOLT,SCREW,4X12 (Ref # 92002)	92002-1323	1
BOLT,LEVER SET (Ref # 92002A)	92002-1561	1
BOLT,OIL,L=23 (Ref # 92002B)	92002-1888	2
SCREW,5MM (Ref # 92009)	92172-0089	2
NUT,FLANGED,6MM (Ref # 92015)	92015-1528	1
BOLT,SOCKET,6MM (Ref # 92150)	92150-1025	2
CLAMP,HOSE (Ref # 92170)	92170-1651	1