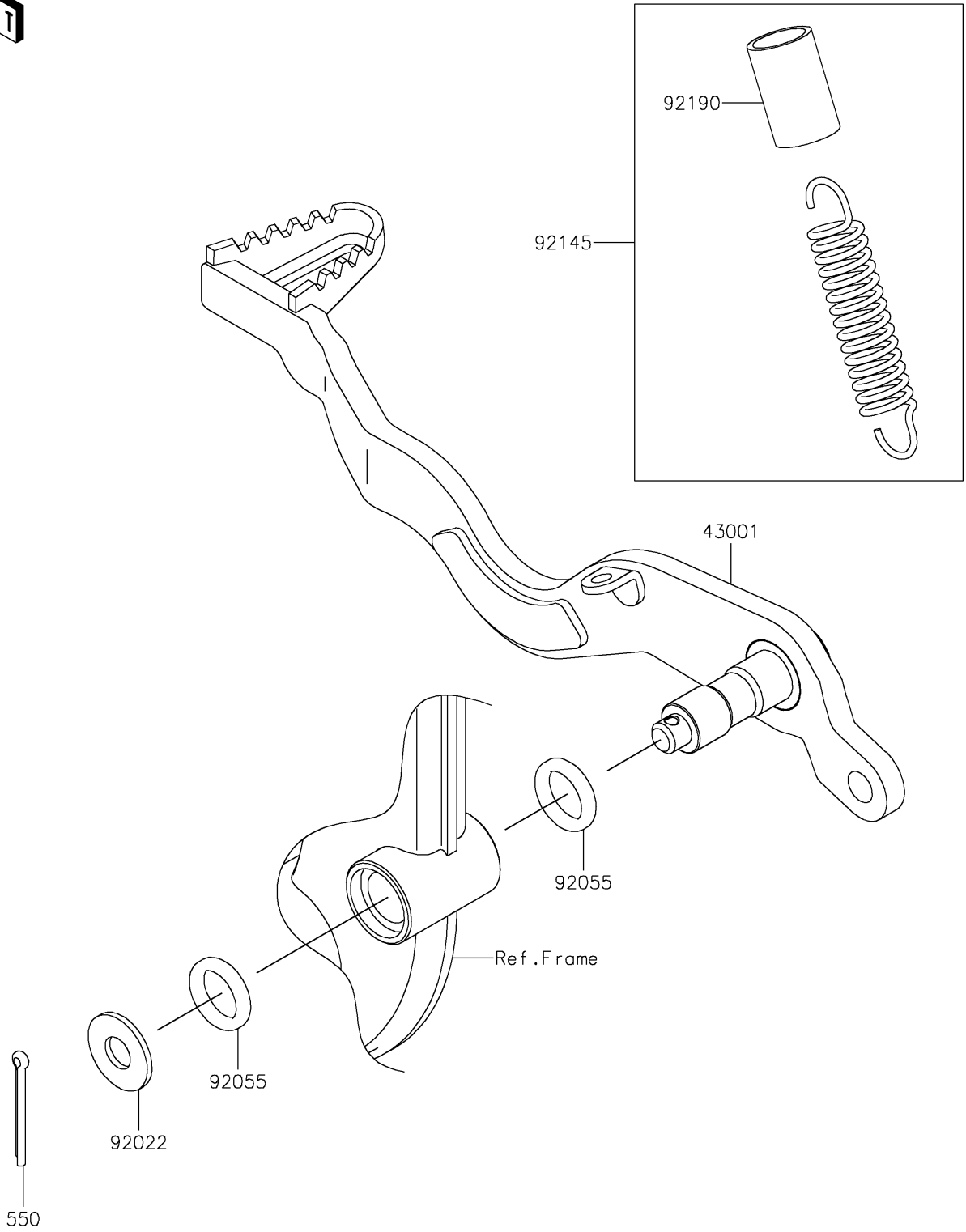


# 2021 KLX®300R PARTS DIAGRAM

Brake Pedal

F2260



## 2021 KLX®300R PARTS LIST

### Brake Pedal

| ITEM NAME                               | PART NUMBER | QUANTITY |
|---|-------------|----------|
| LEVER-BRAKE,PEDAL (Ref # 43001)         | 43001-0110  | 1        |
| WASHER,8.5X20X1.6 (Ref # 92022)         | 92022-1561  | 1        |
| RING-O,OD=18.5 (Ref # 92055)            | 92055-0168  | 2        |
| SPRING,BRAKE PEDAL RETURN (Ref # 92145) | 92145-0684  | 1        |
| TUBE,13X16X25 (Ref # 92190)             | 92190-1488  | 1        |
| PIN-COTTER,2.5X25 (Ref # 550)           | 550AA2525   | 1        |