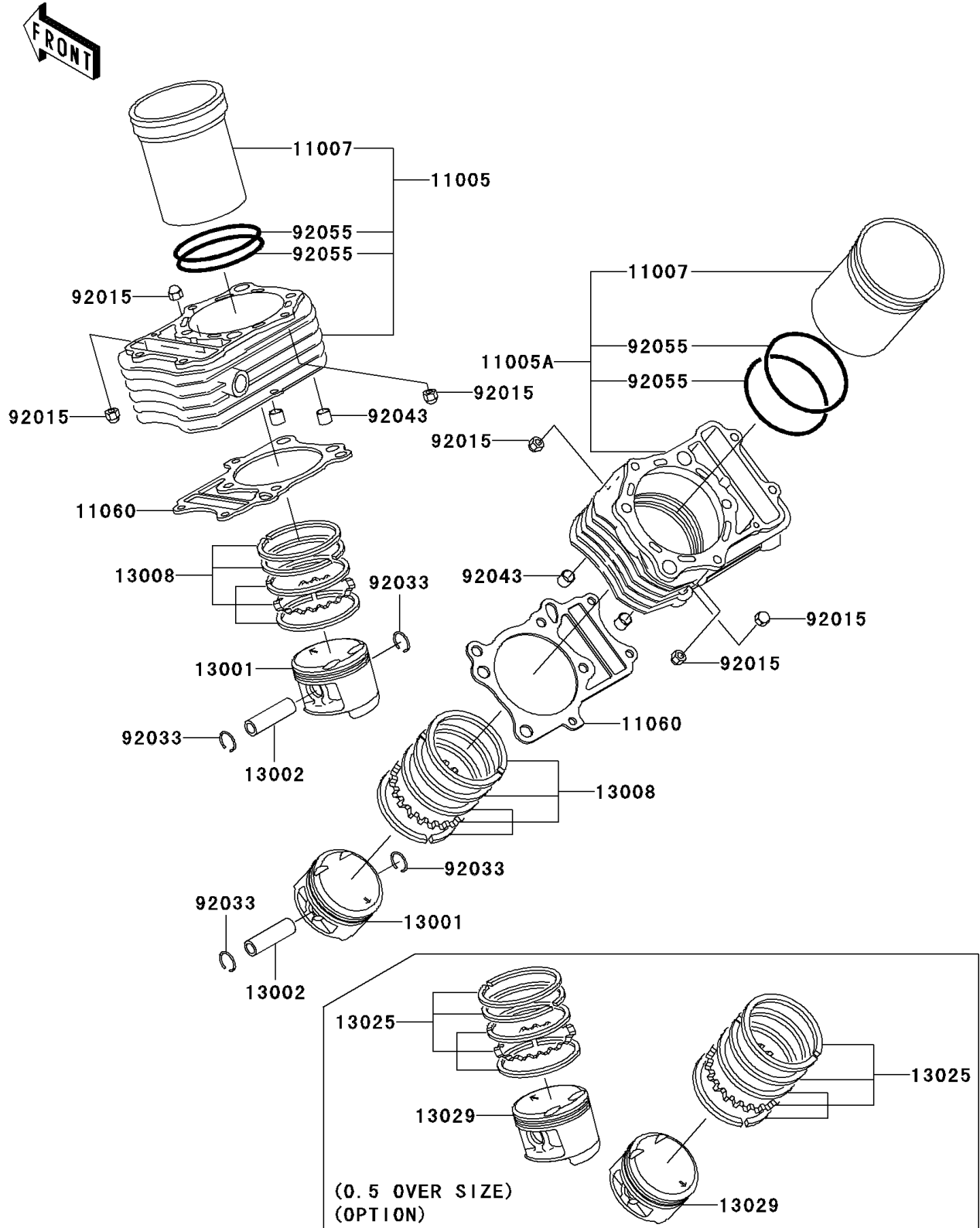


# 2001 Vulcan 800 PARTS DIAGRAM

Cylinder/Piston(s)

E1120



## 2001 Vulcan 800 PARTS LIST

### Cylinder/Piston(s)

ITEM NAME	PART NUMBER	QUANTITY
CYLINDER-ENGINE,FR (Ref # 11005)	11005-1768	1
CYLINDER-ENGINE,RR (Ref # 11005A)	11005-1770	1
LINER-CYLINDER (Ref # 11007)	11007-1134	2
GASKET,CYLINDER BASE (Ref # 11060)	11060-1678	2
PISTON-ENGINE,STD (Ref # 13001)	13001-1434	2
PIN-PISTON (Ref # 13002)	13002-1056	2
RING-SET-PISTON,STD (Ref # 13008)	13008-1164	2
RING-SET-PISTON L,O/S,0.50 (Ref # 13025)	13025-1127	2
PISTON-ENGINE L,O/S,0.50 (Ref # 13029)	13029-1228	2
NUT,CAP,8MM (Ref # 92015)	92015-1370	6
RING-SNAP (Ref # 92033)	92033-1188	4
PIN,11X14X12.3 (Ref # 92043)	92043-1266	4
RING-O,95.3X2.5 (Ref # 92055)	92055-1535	4