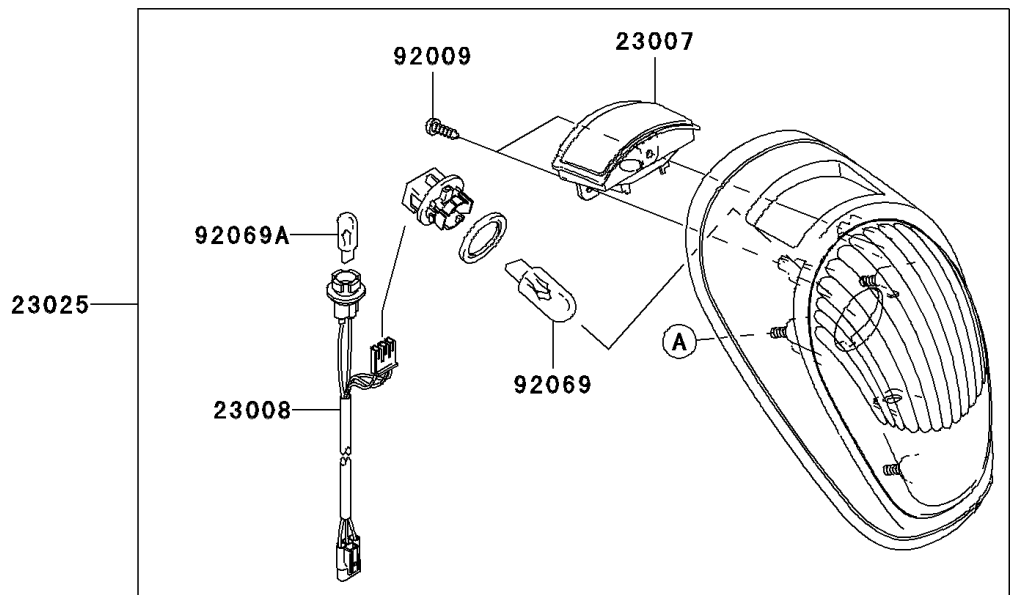
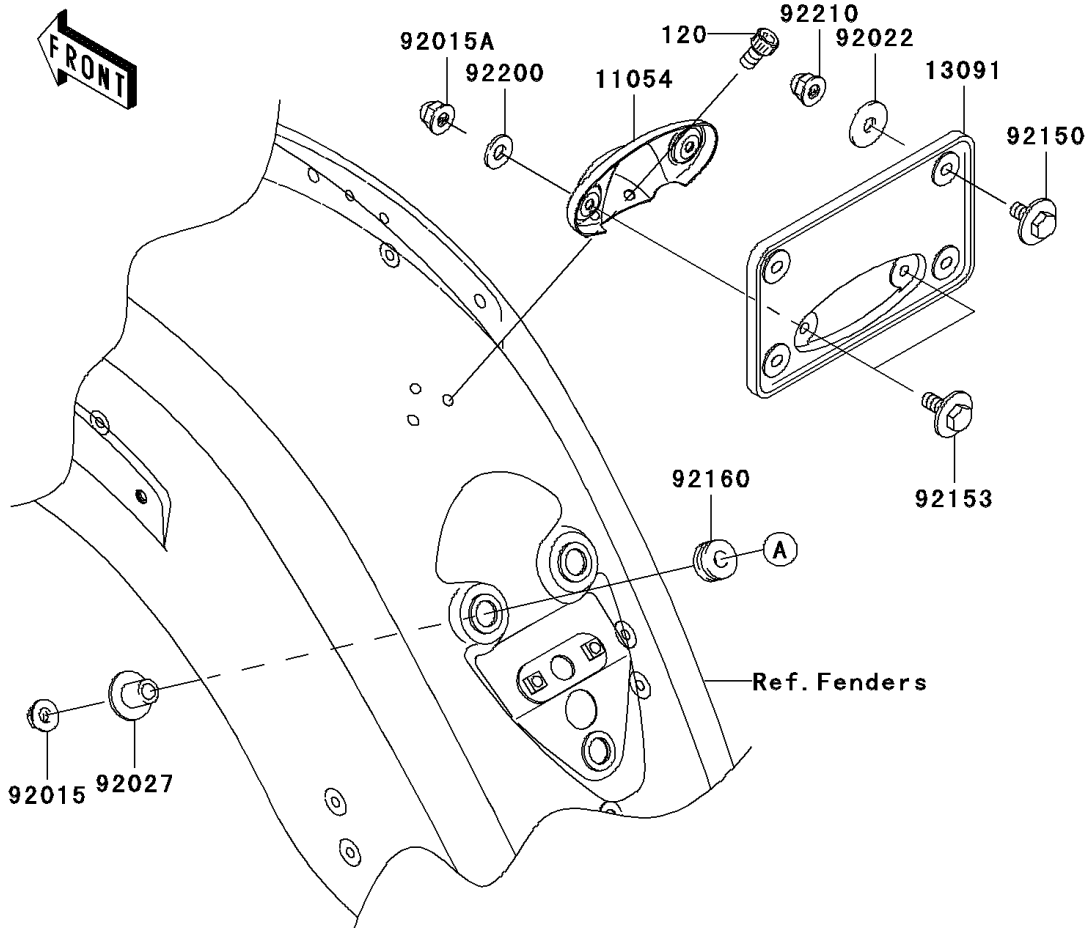


2008 Vulcan® 2000 Classic PARTS DIAGRAM

Taillight(s)

F2720



2008 Vulcan® 2000 Classic PARTS LIST

Taillight(s)

ITEM NAME	PART NUMBER	QUANTITY
BOLT-SOCKET,6X12 (Ref # 120)	120CB0612	2
BRACKET,LICENSE (Ref # 11054)	11054-0032	1
HOLDER,LICENSE PLATE (Ref # 13091)	13091-1500	1
LENS-COMP,LICENSE (Ref # 23007)	23007-0020	1
SOCKET-ASSY,TAIL LAMP (Ref # 23008)	23008-0017	1
LAMP-TAIL (Ref # 23025)	23025-0001	1
SCREW,TAPPING,4X12 (Ref # 92009)	92009-1381	2
NUT,FLANGED,6MM (Ref # 92015)	92015-1367	3
NUT,CAP,6MM (Ref # 92015A)	92015-1385	2
WASHER,6.5X20X1.6,BLACK (Ref # 92022)	92022-1346	4
COLLAR,L=13.1,BLACK (Ref # 92027)	92027-1450	3
BULB,12V 21/5W (Ref # 92069)	92069-0004	1
BULB,12V 5W (Ref # 92069A)	92069-1016	1
BOLT,6X14 (Ref # 92150)	92150-1133	4
BOLT,6X16 (Ref # 92153)	92153-0684	2
DAMPER (Ref # 92160)	92160-1162	3
WASHER,6.5X14.5X1.5 (Ref # 92200)	92200-3775	2
NUT,CAP,6MM (Ref # 92210)	92210-0003	4