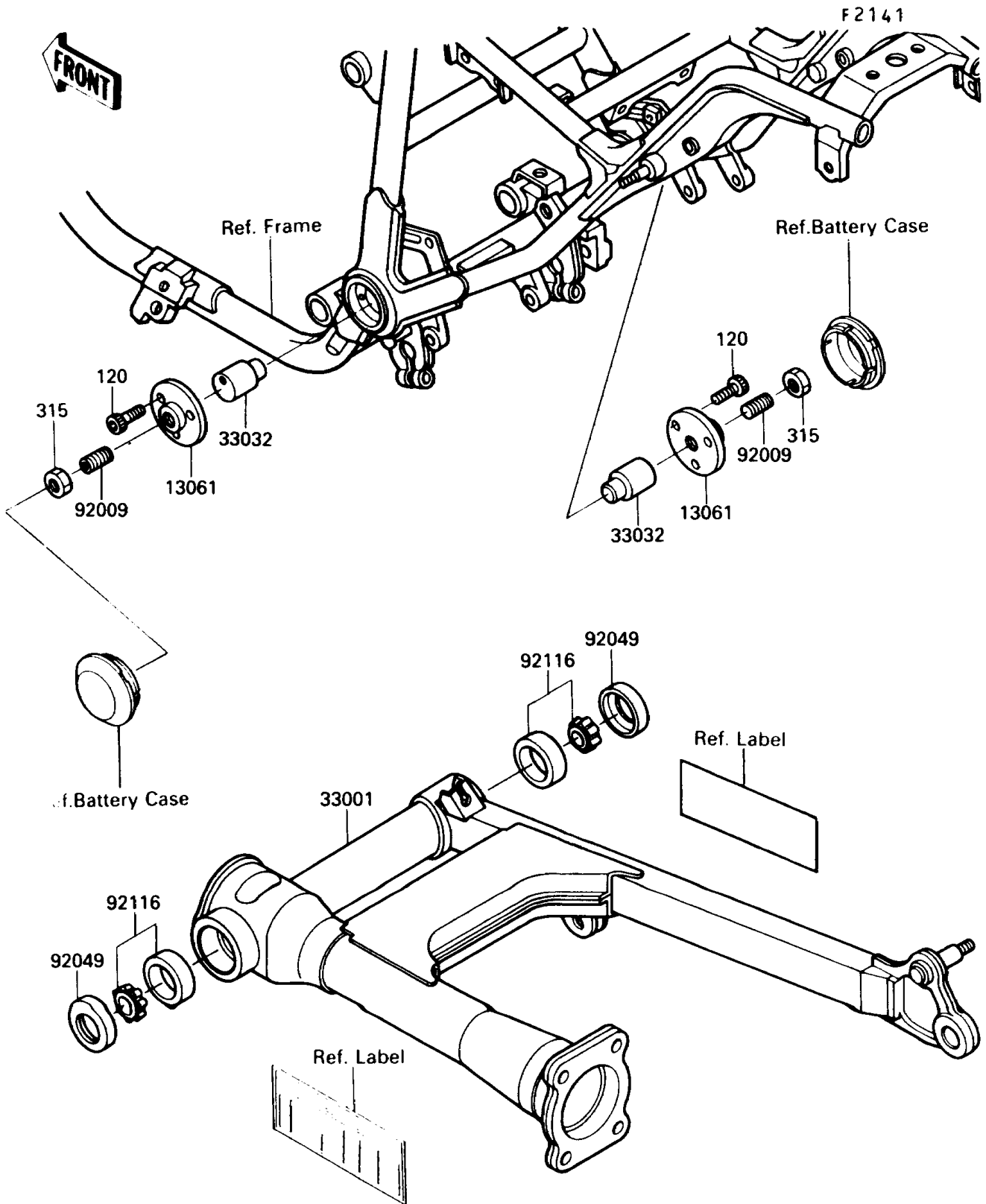


1990 Vulcan 750 PARTS DIAGRAM

Swing Arm



1990 Vulcan 750 PARTS LIST

Swing Arm

| ITEM NAME | PART NUMBER | QUANTITY |
|--|-------------|----------|
| BOLT-SOCKET,6X16 (Ref # 120) | 120P0616 | 1 |
| NUT-HEX-FINE (Ref # 315) | 315B1200 | 1 |
| BOSS (Ref # 13061) | 13061-1149 | 1 |
| ARM-COMP-SWING (Ref # 33001) | 33001-1234 | 1 |
| SHAFT-SWING ARM (Ref # 33032) | 33032-1043 | 1 |
| SCREW,SOCKET,12X22 (Ref # 92009) | 92009-1374 | 1 |
| SEAL-OIL,26406 (Ref # 92049) | 92049-1030 | 1 |
| BEARING-ROLLER,4T30203E1 (Ref # 92116) | 92116-1001 | 1 |