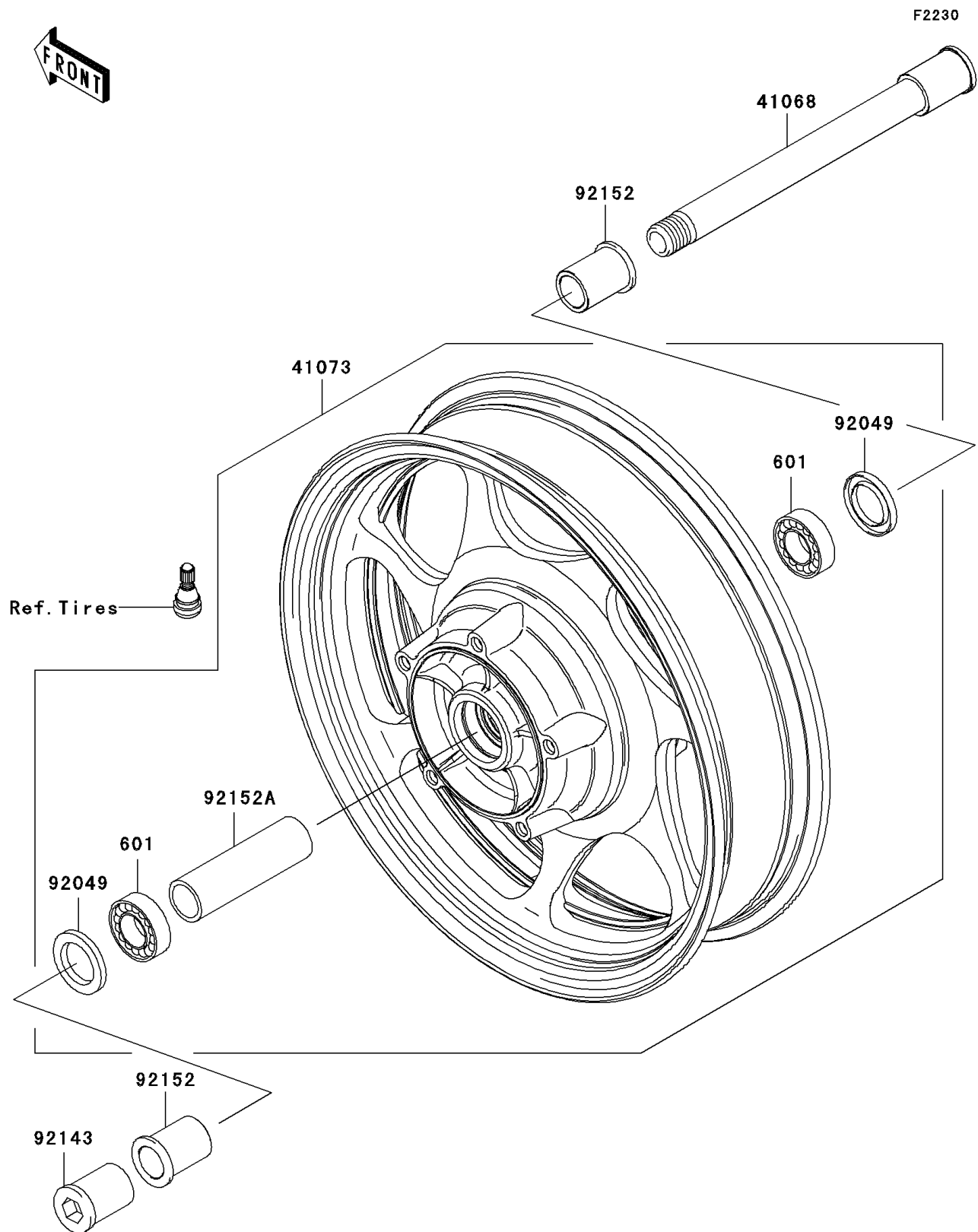


2008 Vulcan[®] 2000 Classic

PARTS DIAGRAM

Front Wheel



2008 Vulcan® 2000 Classic

PARTS LIST

Front Wheel

ITEM NAME	PART NUMBER	QUANTITY
BEARING-BALL,#6005UU (Ref # 601)	601B6005UU	2
AXLE,FR (Ref # 41068)	41068-0028	1
WHEEL-ASSY,FR (Ref # 41073)	41073-0059	1
SEAL-OIL,BJN-C2 32X47X5 (Ref # 92049)	92049-0050	2
COLLAR,FR AXLE,LH,L=44.5 (Ref # 92143)	92143-1478	1
COLLAR,FR AXLE,L=44 (Ref # 92152)	92152-0182	2
COLLAR,FR HUB,L=109 (Ref # 92152A)	92152-1308	1