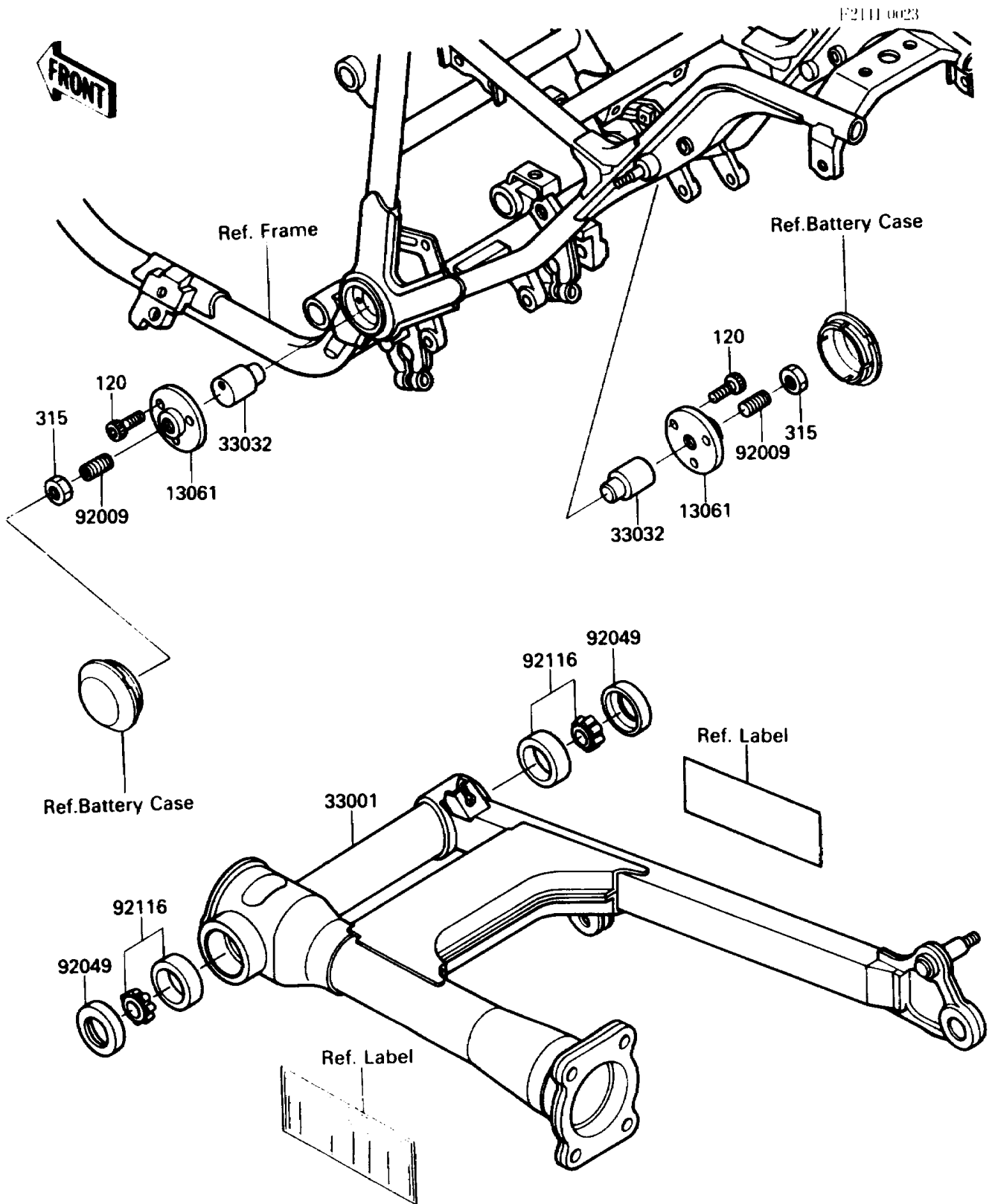


# 1988 Vulcan 750 PARTS DIAGRAM

Swingarm



# 1988 Vulcan 750 PARTS LIST

## Swingarm

| ITEM NAME                              | PART NUMBER | QUANTITY |
|--|-------------|----------|
| BOSS (Ref # 13061)                     | 13061-1149  | 2        |
| ARM-COMP-SWING (Ref # 33001)           | 33001-1234  | 1        |
| SHAFT-SWING ARM (Ref # 33032)          | 33032-1043  | 2        |
| SCREW,SOCKET,12X22 (Ref # 92009)       | 92009-1374  | 2        |
| SEAL-OIL,26406 (Ref # 92049)           | 92049-1030  | 2        |
| BEARING-ROLLER,4T30203E1 (Ref # 92116) | 92116-1001  | 2        |
| BOLT-SOCKET,6X16 (Ref # 120)           | 120P0616    | 6        |
| NUT-HEX-FINE (Ref # 315)               | 315B1200    | 2        |