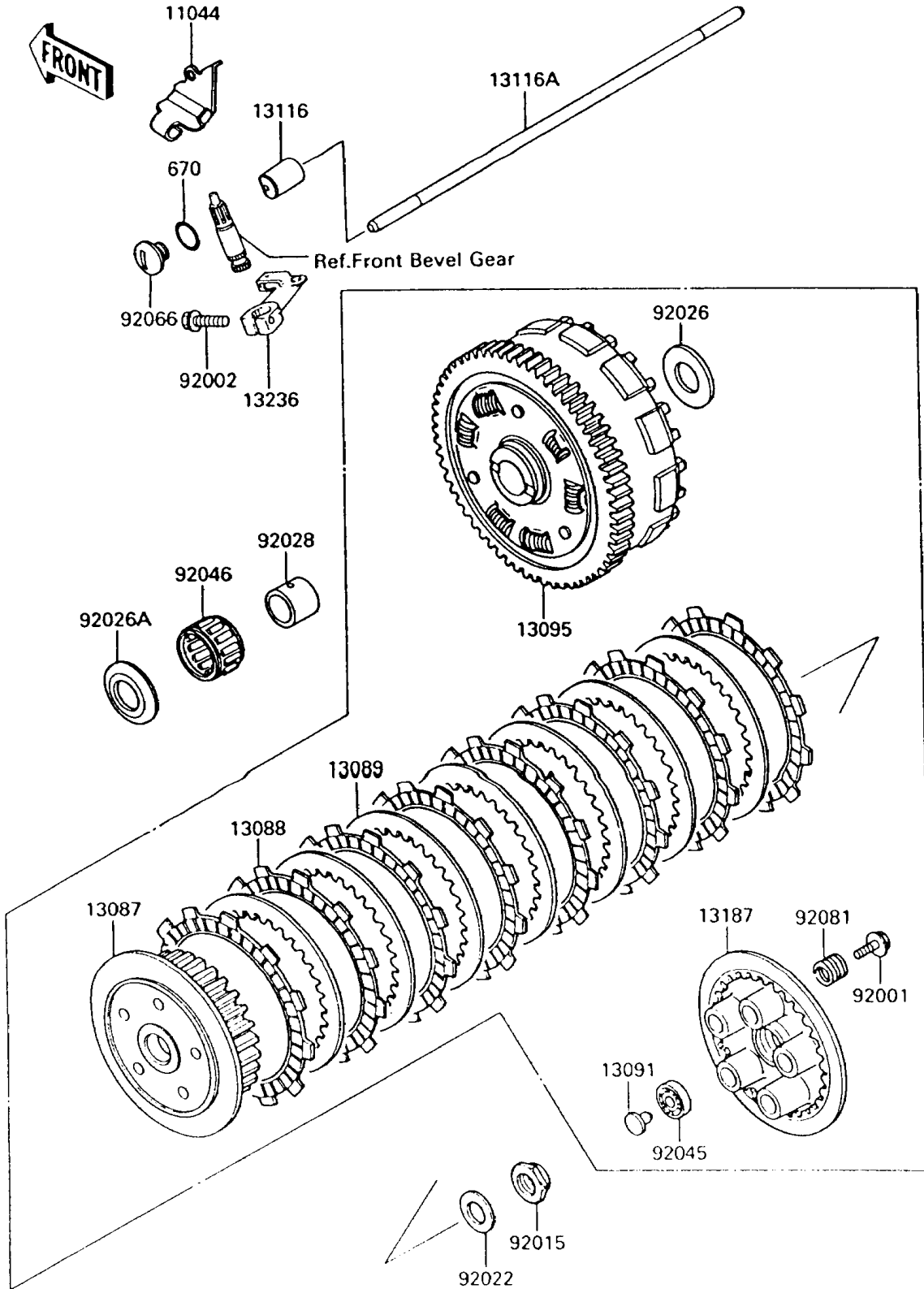


1994 Vulcan 750 PARTS DIAGRAM

Clutch

E1350



1994 Vulcan 750 PARTS LIST

Clutch

| ITEM NAME | PART NUMBER | QUANTITY |
|---|-------------|----------|
| O RING,15MM (Ref # 670) | 670B2015 | 1 |
| BRACKET,CLUTCH CABLE (Ref # 11044) | 11044-1473 | 1 |
| HUB-CLUTCH (Ref # 13087) | 13087-042 | 1 |
| PLATE-FRICTION (Ref # 13088) | 13088-1087 | 8 |
| PLATE-CLUTCH (Ref # 13089) | 13089-027 | 7 |
| HOLDER,CLUTCH PUSH ROD (Ref # 13091) | 13091-1085 | 1 |
| HOUSING-COMP-CLUTCH (Ref # 13095) | 13095-1302 | 1 |
| ROD-PUSH,CLUTCH,6T (Ref # 13116) | 13116-1040 | 1 |
| ROD-PUSH,L=316.5 (Ref # 13116A) | 13116-1114 | 1 |
| PLATE-CLUTCH OPERATING (Ref # 13187) | 13187-1006 | 1 |
| LEVER-COMP,CLUTCH RELEASE (Ref # 13236) | 13236-1140 | 1 |
| BOLT,FLANGED,6X18 (Ref # 92001) | 92001-1066 | 5 |
| BOLT,6X20 (Ref # 92002) | 92002-1237 | 1 |
| NUT,20MM (Ref # 92015) | 92015-1555 | 1 |
| WASHER,20.3X36X2.3 (Ref # 92022) | 92022-1116 | 1 |
| SPACER,25.5X47X2.5 (Ref # 92026) | 92026-022 | 1 |
| SPACER,THRUST,T=5.5 (Ref # 92026A) | 92026-116 | 1 |
| BUSHING,25X32X23.6 (Ref # 92028) | 92028-178 | 1 |
| BEARING-BALL,6001C3ML01 (Ref # 92045) | 92045-1235 | 1 |
| BEARING-NEEDLE,KTV323723 (Ref # 92046) | 92046-028 | 1 |
| PLUG (Ref # 92066) | 92066-1237 | 1 |
| SPRING,CLUTCH (Ref # 92081) | 92081-1033 | 5 |