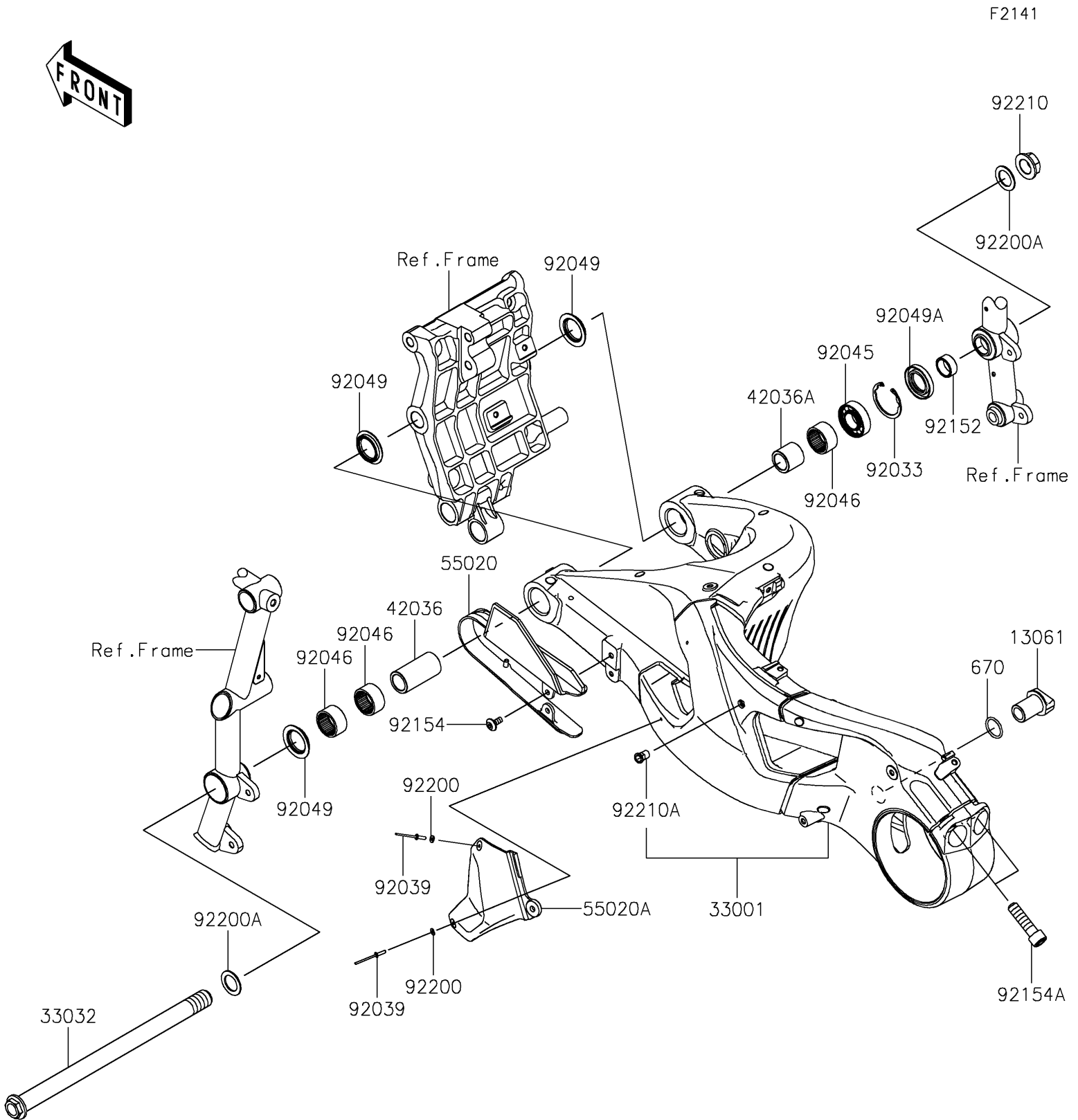


# 2022 NINJA H2® PARTS DIAGRAM

Swingarm



# 2022 NINJA H2® PARTS LIST

Swingarm

ITEM NAME	PART NUMBER	QUANTITY
-----------	-------------	----------