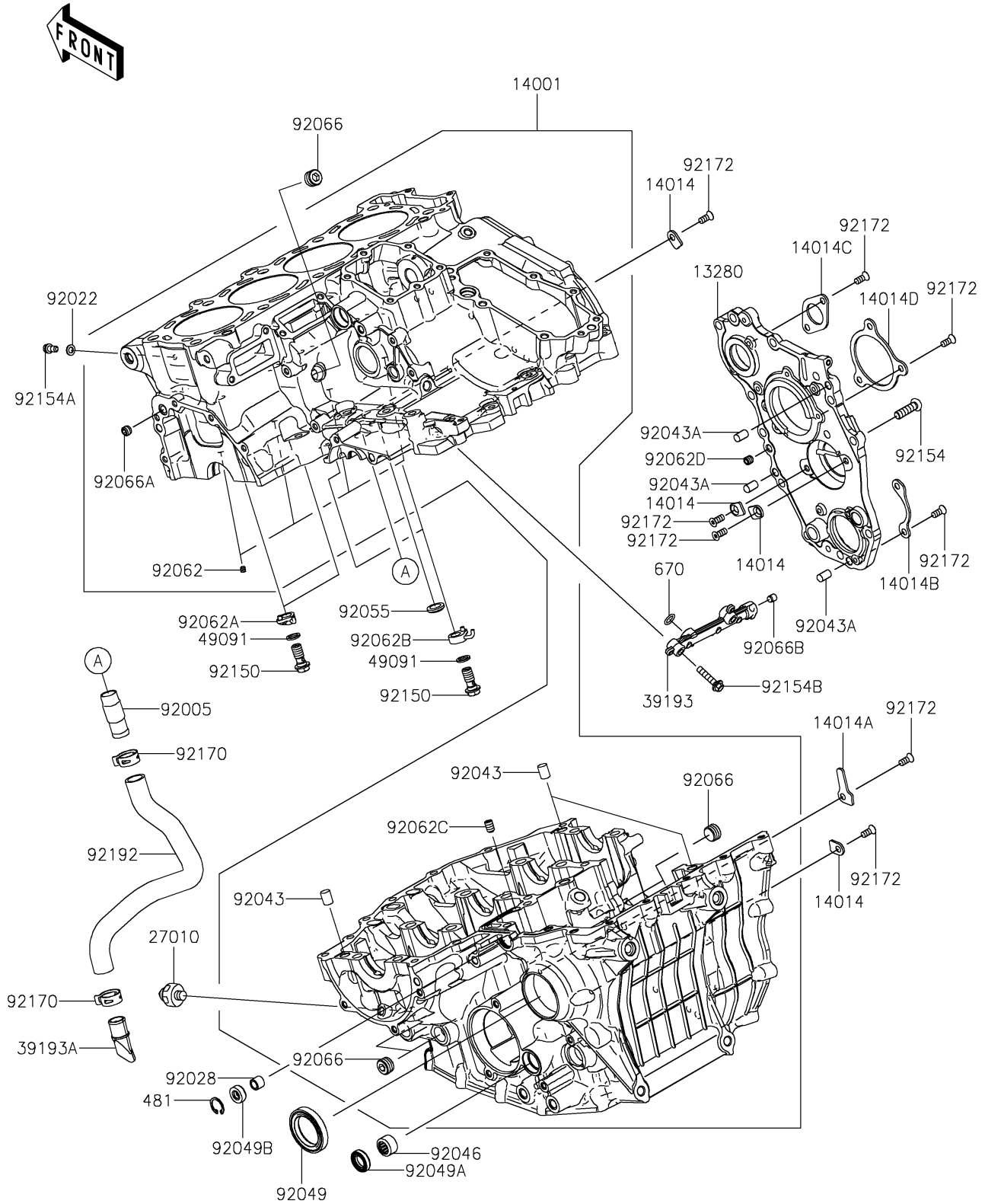


# 2022 NINJA H2® PARTS DIAGRAM

Crankcase

E1411



# 2022 NINJA H2® PARTS LIST

Crankcase

ITEM NAME	PART NUMBER	QUANTITY
-----------	-------------	----------