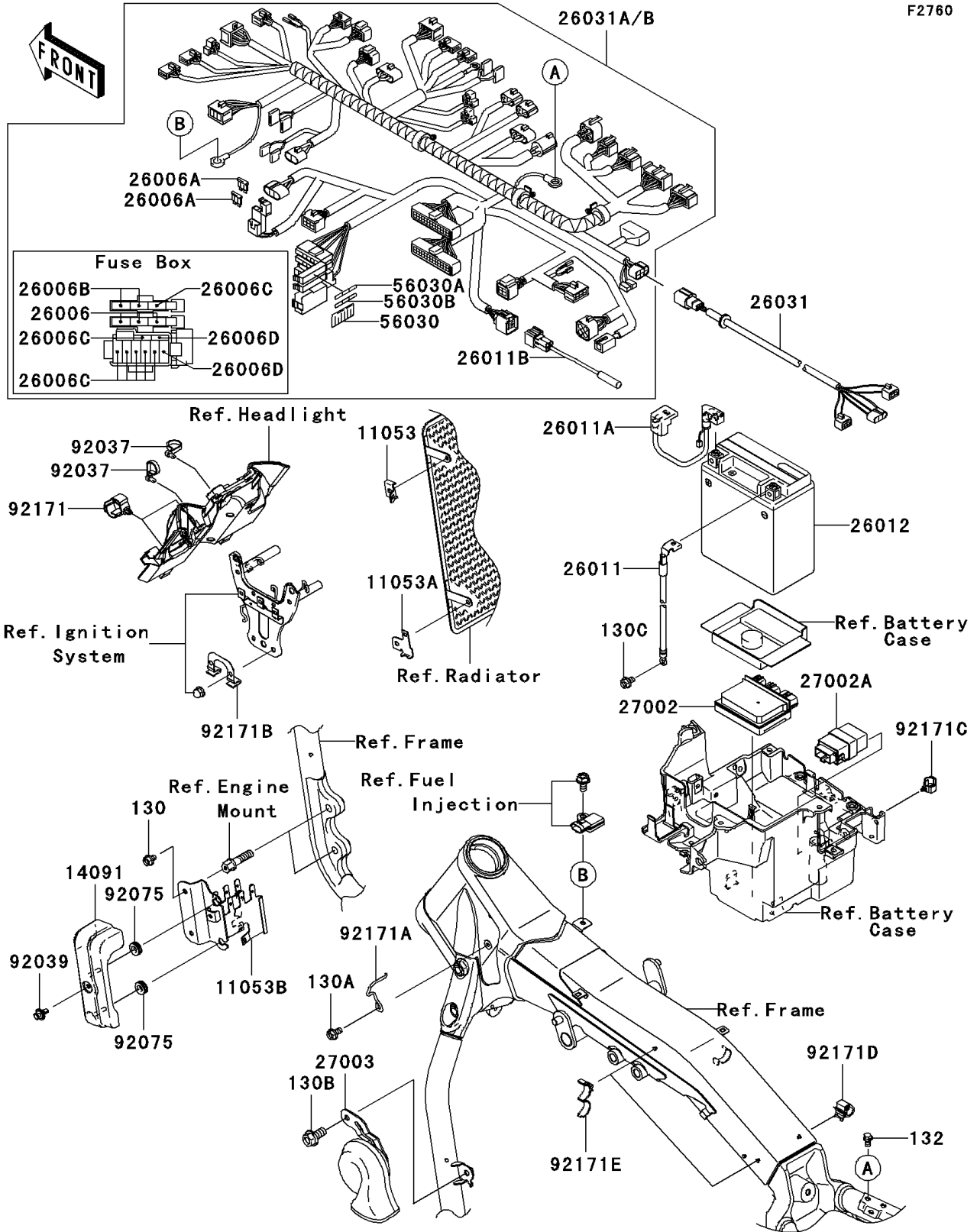


# 2007 Vulcan 2000 PARTS DIAGRAM

## Chassis Electrical Equipment



## 2007 Vulcan 2000 PARTS LIST

### Chassis Electrical Equipment

ITEM NAME	PART NUMBER	QUANTITY
BOLT-FLANGED,6X8 (Ref # 130)	130J0608	2
BOLT-FLANGED,6X12 (Ref # 130A)	130J0612	1
BOLT-FLANGED,8X16 (Ref # 130B)	130L0816	1
BOLT-FLANGED,6X10 (Ref # 130C)	130V0610	1
BOLT-FLANGED-SMALL,6X10 (Ref # 132)	132L0610	1
BRACKET,RADIATOR,UPP (Ref # 11053)	11053-0528	1
BRACKET,RADIATOR,LWR (Ref # 11053A)	11053-1624	1
BRACKET,COUPLER (Ref # 11053B)	11053-1655	1
COVER,ACG COUPLER (Ref # 14091)	14091-0417	1
FUSE,15A (Ref # 26006)	26006-0001	3
FUSE,30A-G (Ref # 26006A)	26006-1006	2
FUSE,5A (Ref # 26006B)	26006-1077	2
FUSE,10A (Ref # 26006C)	26006-1078	7
FUSE,20A (Ref # 26006D)	26006-1079	2
WIRE-LEAD,BATTERY(-) (Ref # 26011)	26011-0013	1
WIRE-LEAD,BATTERY(+) (Ref # 26011A)	26011-0043	1
WIRE-LEAD,DIAGNOSIS (Ref # 26011B)	26011-1774	1
BATTERY,MF,FTZ16-BS,12V 18AH (Ref # 26012)	26012-1371	1
HARNESS,RR (Ref # 26031)	26031-0167	1
RELAY-ASSY (Ref # 27002)	27002-0007	1
RELAY-ASSY,SIGNAL LAMP (Ref # 27002A)	27002-1113	1
HORN (Ref # 27003)	27003-0021	1
LABEL,FUSE BOX (Ref # 56030)	56030-0015	1
LABEL,FUSE BOX (Ref # 56030A)	56030-0017	1
LABEL,FUSE BOX (Ref # 56030B)	56030-0080	1
CLAMP,SPEED,L=58 (Ref # 92037)	92037-1163	2
RIVET (Ref # 92039)	92039-1227	1
DAMPER (Ref # 92075)	92075-1629	2
CLAMP,DIA=20 (Ref # 92171)	92171-0069	2

## 2007 Vulcan 2000 PARTS LIST

### Chassis Electrical Equipment

ITEM NAME	PART NUMBER	QUANTITY
CLAMP,HARNESS (Ref # 92171A)	92171-0331	1
CLAMP,HARNESS (Ref # 92171B)	92171-0368	1
CLAMP,DIA=13 (Ref # 92171C)	92171-1415	1
CLAMP,DIA=15 (Ref # 92171D)	92171-1424	1
CLAMP,DIA=25 (Ref # 92171E)	92171-1559	2
HARNESS,MAIN (Ref # 26031A)	26031-0309	1
HARNESS,MAIN (Ref # 26031B)	26031-0310	1