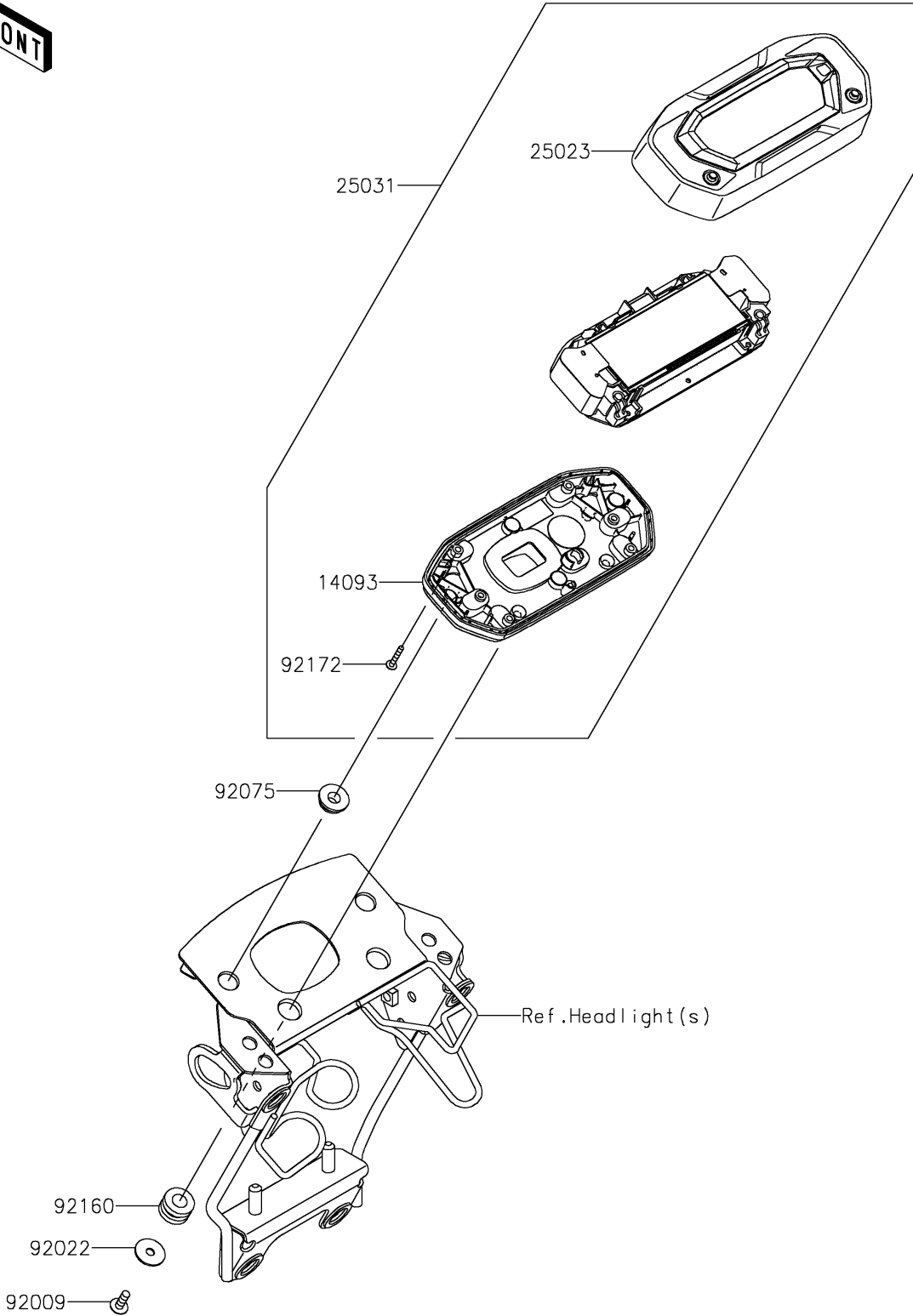


# 2023 KLX230 S ABS PARTS DIAGRAM

Meter(s)

F2530



## 2023 KLX230 S ABS PARTS LIST

Meter(s)

ITEM NAME	PART NUMBER	QUANTITY
COVER,METER (Ref # 14093)	14093-0941	1
COVER-METER CASE (Ref # 25023)	25023-0139	1
METER-ASSY,LCD (Ref # 25031)	25031-1305	1
SCREW,TAPPING,5X14 (Ref # 92009)	92009-1197	2
WASHER,5.5X20X1.2 (Ref # 92022)	92022-1405	2
DAMPER,RADIATOR GUARD (Ref # 92075)	92075-1469	2
DAMPER,10X20X12 (Ref # 92160)	92160-1167	2
SCREW,TAPPING,3X20 (Ref # 92172)	92172-1224	6