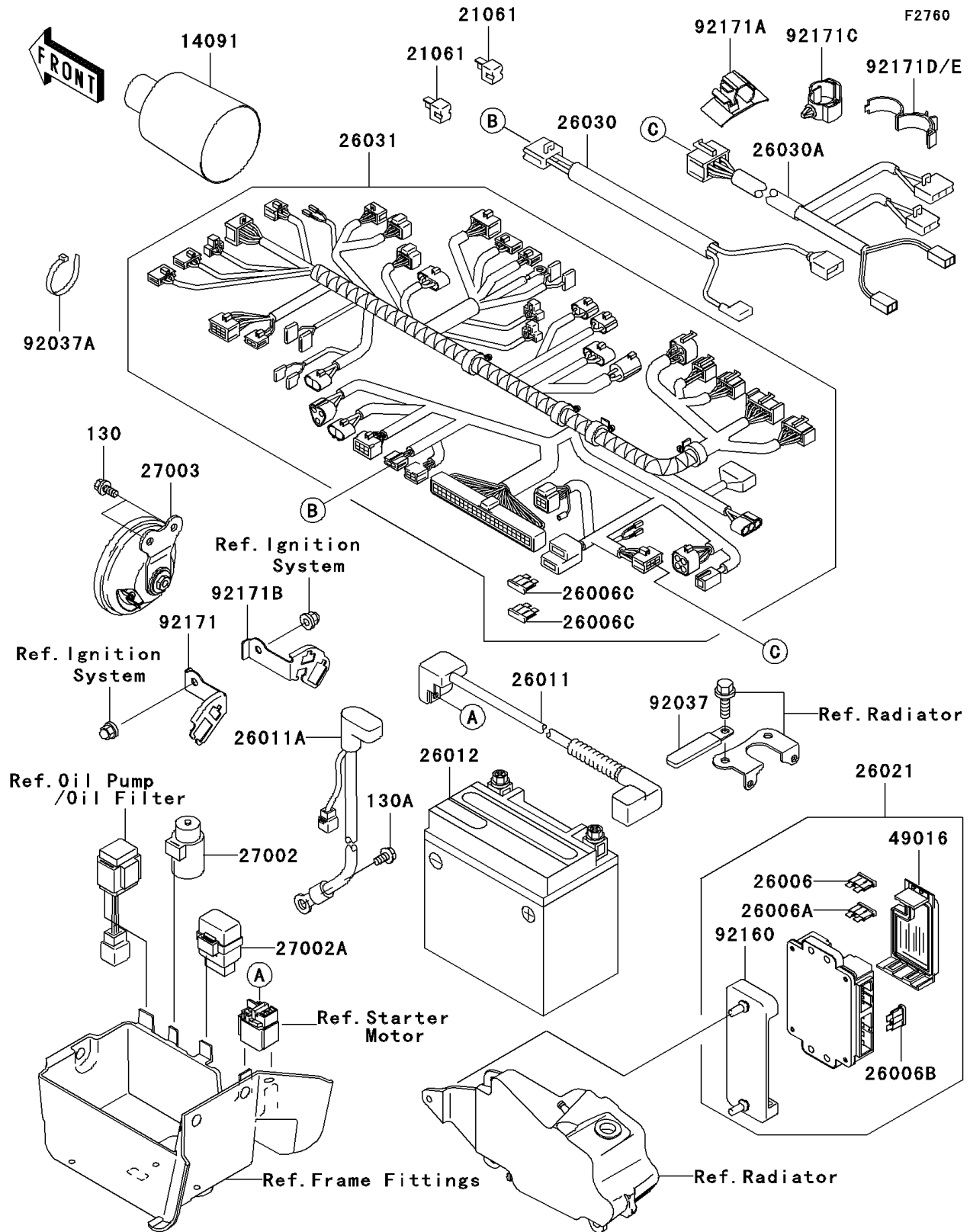


# 2006 Vulcan 1600 Mean Streak PARTS DIAGRAM

Chassis Electrical Equipment



## 2006 Vulcan 1600 Mean Streak PARTS LIST

### Chassis Electrical Equipment

ITEM NAME	PART NUMBER	QUANTITY
BOLT-FLANGED,6X12 (Ref # 130)	130J0612	2
BOLT-FLANGED,6X10 (Ref # 130A)	130V0610	1
COVER,CONNECTOR (Ref # 14091)	14091-0236	1
RECTIFIER (Ref # 21061)	21061-1003	2
FUSE,30A-G (Ref # 26006)	26006-1006	1
FUSE,10A-R (Ref # 26006A)	26006-1007	7
FUSE,15A-B (Ref # 26006B)	26006-1061	1
FUSE,15A-B (Ref # 26006C)	26006-1069	2
WIRE-LEAD,BATTERY(+) (Ref # 26011)	26011-0018	1
WIRE-LEAD,BATTERY(-) (Ref # 26011A)	26011-1750	1
BATTERY,MF,FTZ16-BS,12V 18AH (Ref # 26012)	26012-1371	1
JUNCTION BOX (Ref # 26021)	26021-0002	1
HARNESS,SUB (Ref # 26030)	26030-1450	1
HARNESS,RR (Ref # 26030A)	26030-1877	1
HARNESS,MAIN (Ref # 26031)	26031-0225	1
RELAY-ASSY (Ref # 27002)	27002-1051	1
RELAY-ASSY,SIGNAL LAMP (Ref # 27002A)	27002-1113	1
HORN (Ref # 27003)	27003-1431	1
COVER-SEAL,FUSE (Ref # 49016)	49016-0005	1
CLAMP,L=60 (Ref # 92037)	92037-1069	1
CLAMP (Ref # 92037A)	92037-1173	1
DAMPER,JUNCTION BOX (Ref # 92160)	92160-1650	1
CLAMP,IGNITION COIL,LH (Ref # 92171)	92171-0204	1
CLAMP,HARNESS (Ref # 92171A)	92171-1269	1
CLAMP,IGNITION COIL,RH (Ref # 92171B)	92171-1370	1
CLAMP,DIA=13 (Ref # 92171C)	92171-1415	1
CLAMP,DIA=10 (Ref # 92171D)	92171-1423	2
CLAMP,DIA=15 (Ref # 92171E)	92171-1424	10