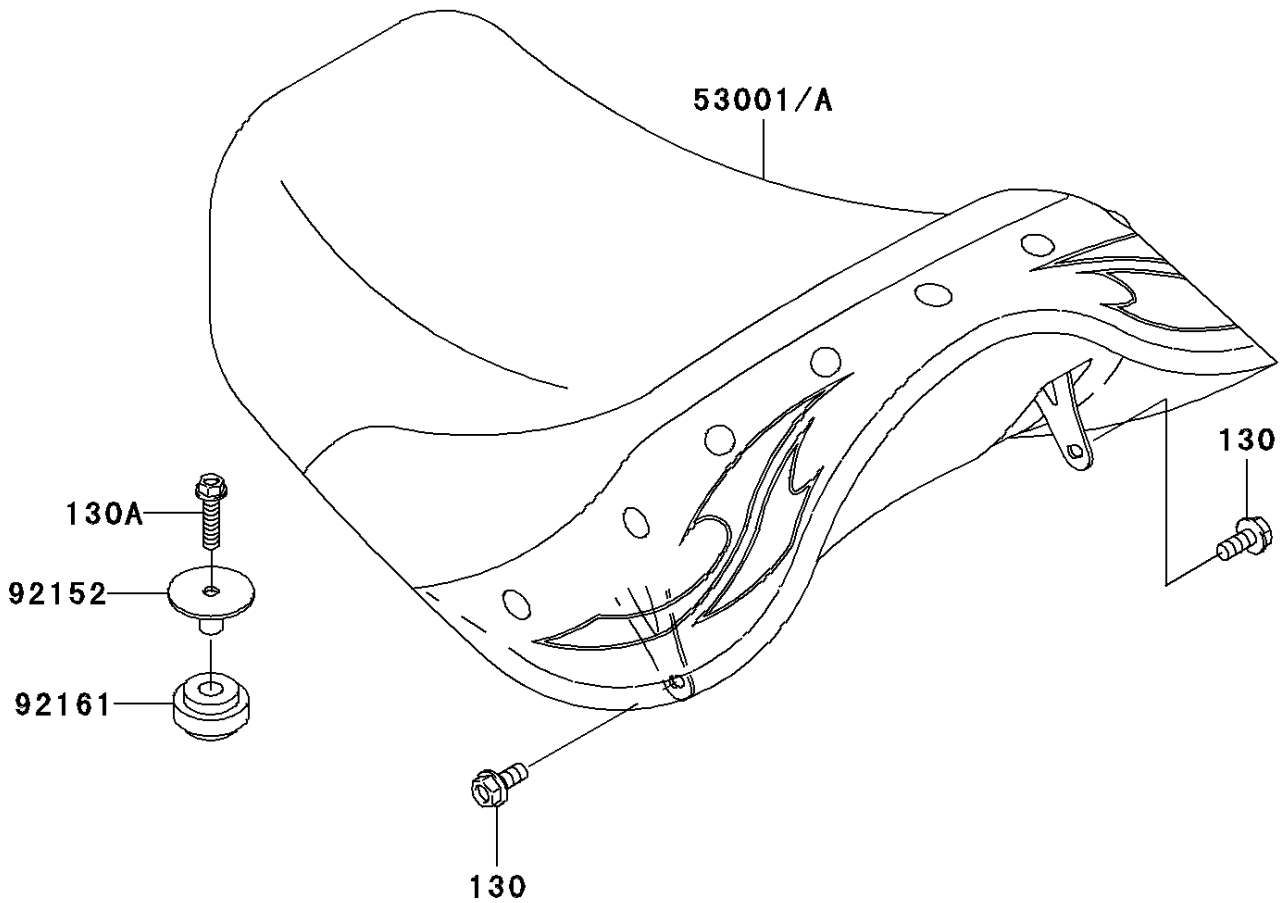


2003 Vulcan 1500 Drifter PARTS DIAGRAM

Seat

F2510



2003 Vulcan 1500 Drifter PARTS LIST

Seat

ITEM NAME	PART NUMBER	QUANTITY
BOLT-FLANGED,6X14,BLACK (Ref # 130)	130J0614	2
BOLT-FLANGED,8X35,BLACK (Ref # 130A)	130J0835	1
SEAT-ASSY,FR,BLACK (Ref # 53001A)	53001-1991-MA	1
COLLAR (Ref # 92152)	92152-1100	1
DAMPER (Ref # 92161)	92161-1157	1