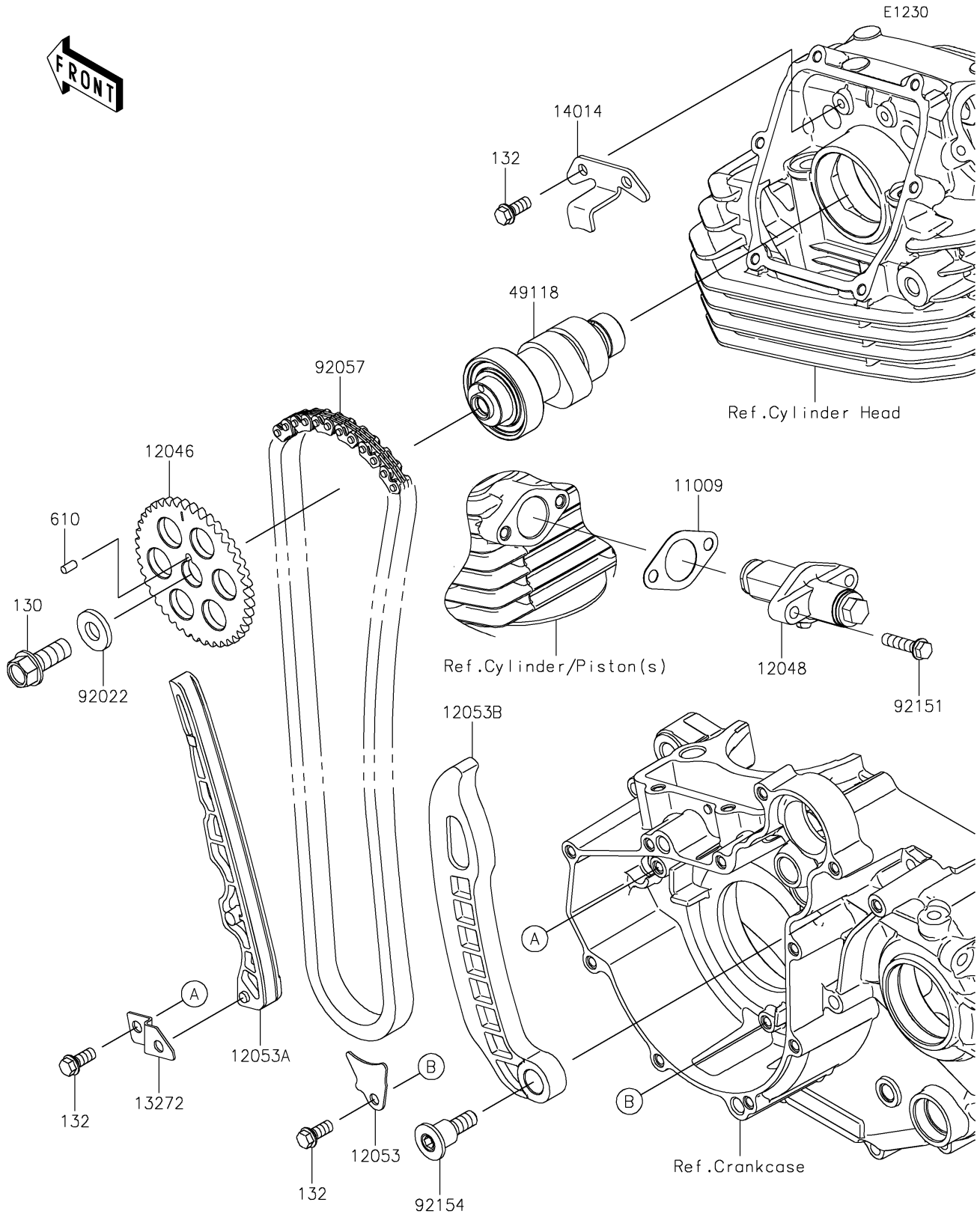


# 2022 KLX® 230 S PARTS DIAGRAM

Camshaft(s)/Tensioner



## 2022 KLX® 230 S PARTS LIST

Camshaft(s)/Tensioner

ITEM NAME	PART NUMBER	QUANTITY
GASKET,TENSIONER (Ref # 11009)	11009-1858	1
SPROCKET,42T (Ref # 12046)	12046-0615	1
TENSIONER-ASSY (Ref # 12048)	12048-1113	1
GUIDE-CHAIN,LWR (Ref # 12053)	12053-0275	1
GUIDE-CHAIN,FR (Ref # 12053A)	12053-0315	1
GUIDE-CHAIN,RR (Ref # 12053B)	12053-0316	1
PLATE,CHAIN GUIDE (Ref # 13272)	13272-2626	1
PLATE-POSITION (Ref # 14014)	14014-0578	1
CAMSHAFT-COMP (Ref # 49118)	49118-0970	1
WASHER,10X22X3 (Ref # 92022)	92022-1365	1
CHAIN,CAM,92RH2010-110M (Ref # 92057)	92057-0764	1
BOLT,FLANGED-SMALL,6X25 (Ref # 92151)	92151-1930	2
BOLT (Ref # 92154)	92154-1307	1
BOLT-FLANGED,10X25 (Ref # 130)	130BA1025	1
BOLT-FLANGED-SMALL,6X14 (Ref # 132)	132BD0614	4
ROLLER,4X8 (Ref # 610)	610A0408	1