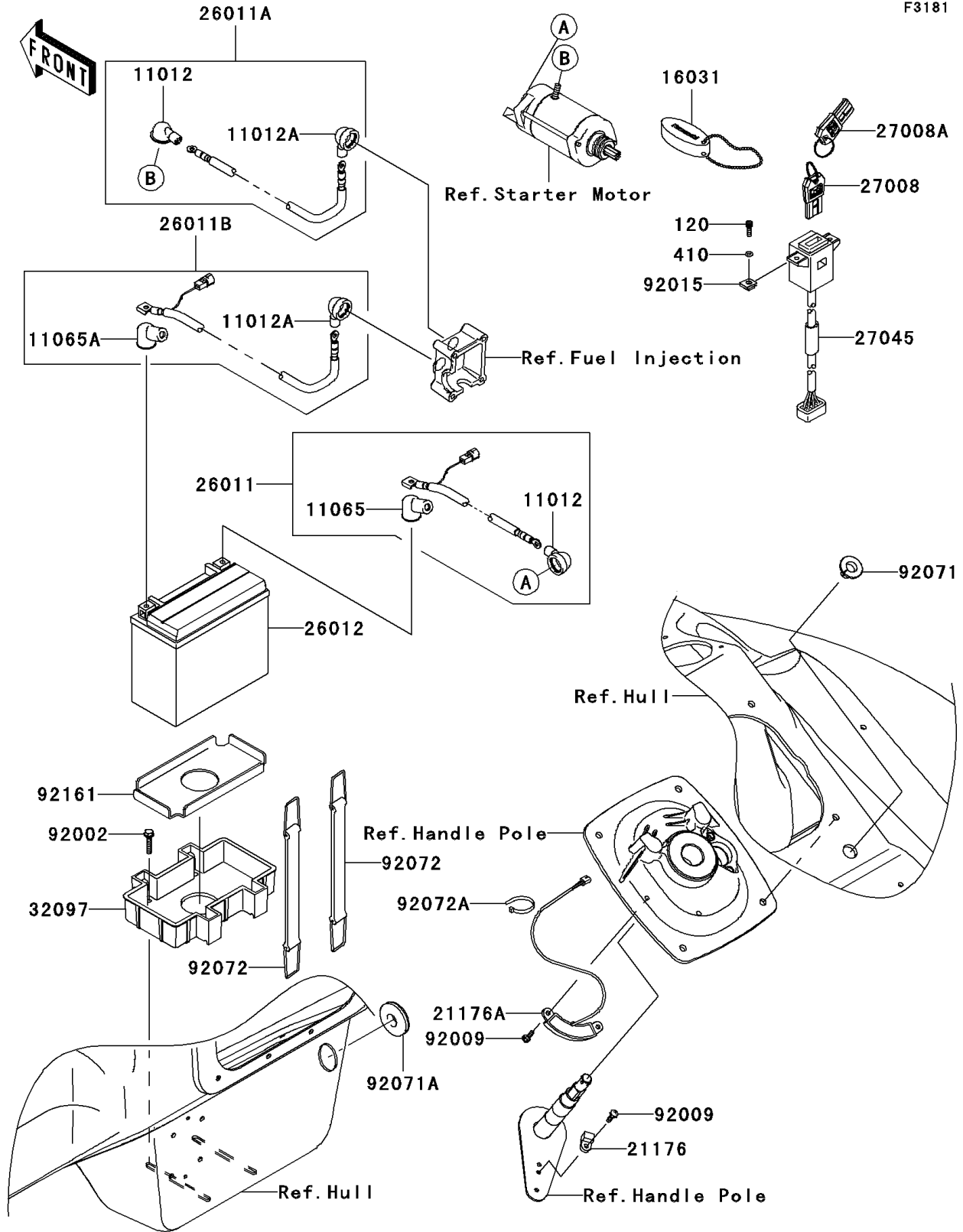


# 2010 Jet Ski® Ultra® LX PARTS DIAGRAM

Electrical Equipment

F3181



## 2010 Jet Ski® Ultra® LX PARTS LIST

### Electrical Equipment

| ITEM NAME                                  | PART NUMBER | QUANTITY |
|--|-------------|----------|
| CAP (Ref # 11012)                          | 11012-3004  | 2        |
| CAP,LEAD WIRE (Ref # 11012A)               | 11012-3726  | 2        |
| CAP,TERMINAL (Ref # 11065)                 | 11065-3729  | 1        |
| CAP,TERMINAL (Ref # 11065A)                | 11065-3732  | 1        |
| FLOAT,KEY (Ref # 16031)                    | 16031-3991  | 1        |
| SENSOR,MAGNET (Ref # 21176)                | 21176-3746  | 1        |
| SENSOR,HOLE IC (Ref # 21176A)              | 21176-3748  | 1        |
| WIRE-LEAD,BATTERY(-)-STARTER (Ref # 26011) | 26011-3915  | 1        |
| WIRE-LEAD,RELAY-STARTER (Ref # 26011A)     | 26011-3916  | 1        |
| WIRE-LEAD,RELAY-BATTERY(+) (Ref # 26011B)  | 26011-3924  | 1        |
| BATTERY,YTX20L-BS,12V 18AH (Ref # 26012)   | 26012-3730  | 1        |
| FPO MODE KEY (Ref # 27008)                 | 27008-3767  | 1        |
| SLO MODE KEY (Ref # 27008A)                | 27008-3768  | 1        |
| SWITCH-ASSY (Ref # 27045)                  | 27045-3755  | 1        |
| CASE-BATTERY (Ref # 32097)                 | 32097-3709  | 1        |
| BOLT,6X30 (Ref # 92002)                    | 92002-3726  | 4        |
| SCREW,5X16 (Ref # 92009)                   | 92009-3868  | 3        |
| NUT,CLIP,5MM (Ref # 92015)                 | 92015-3830  | 2        |
| GROMMET (Ref # 92071)                      | 92071-3826  | 1        |
| GROMMET (Ref # 92071A)                     | 92071-3840  | 1        |
| BAND,340X22 (Ref # 92072)                  | 92072-3805  | 2        |
| BAND,L=100.08 (Ref # 92072A)               | 92072-3882  | 1        |
| DAMPER,BATTERY CASE (Ref # 92161)          | 92161-3762  | 1        |
| BOLT-SOCKET,5X16 (Ref # 120)               | 120R0516    | 2        |
| W-PLAIN-S,5MM (Ref # 410)                  | 410S0500    | 2        |