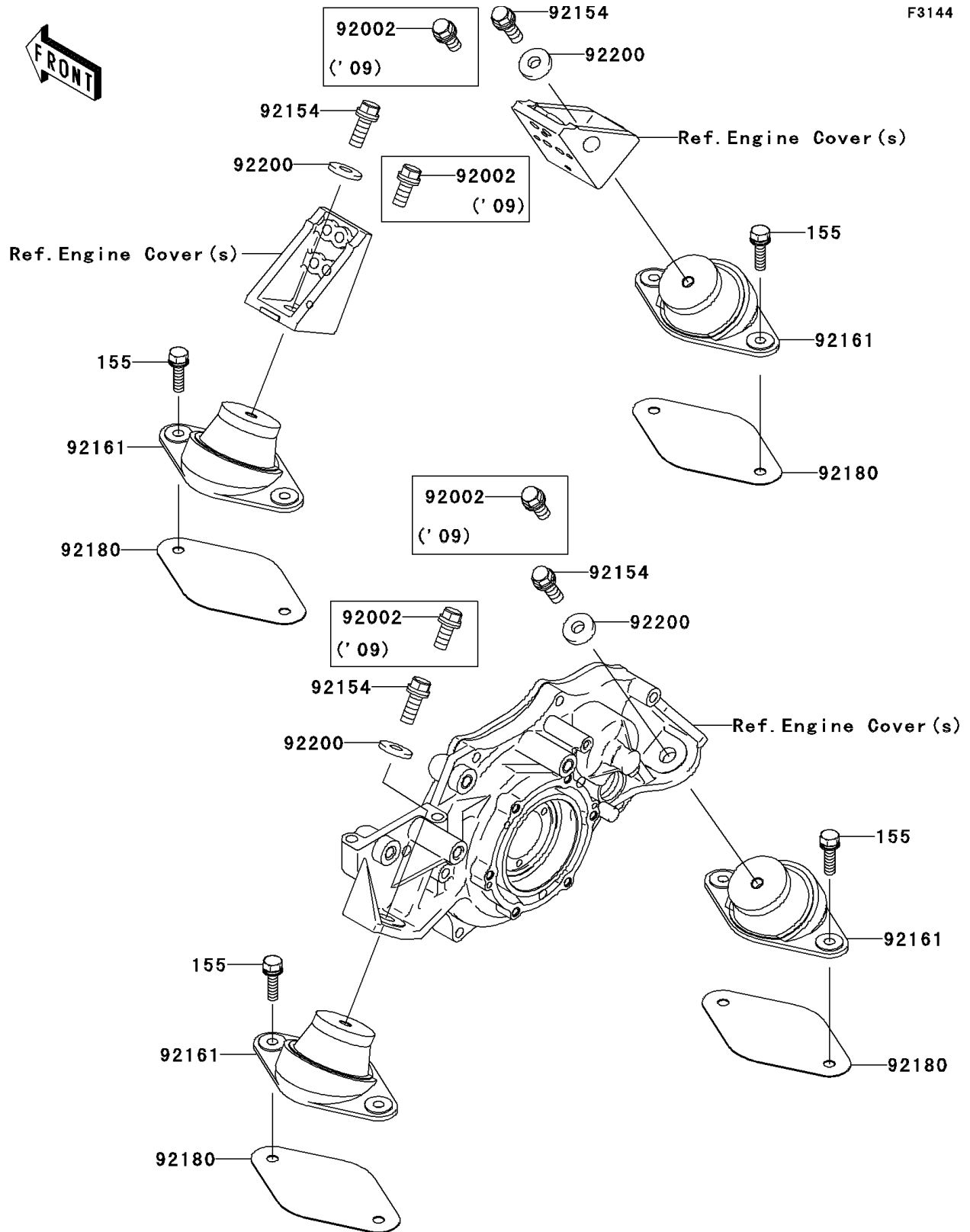


# 2009 Jet Ski® Ultra® LX PARTS DIAGRAM

Engine Mount

F3144



## 2009 Jet Ski® Ultra® LX PARTS LIST

### Engine Mount

ITEM NAME	PART NUMBER	QUANTITY
BOLT,10X25 (Ref # 92002)	92002-3770	4
DAMPER,ENGINE MOUNT (Ref # 92161)	92161-3789	4
SHIM,T=1.0 (Ref # 92180)	92180-3716	AR
WASHER,10.5X26X4 (Ref # 92200)	92200-3798	4
BOLT-WSP-SMALL,8X30 (Ref # 155)	155R0830	8