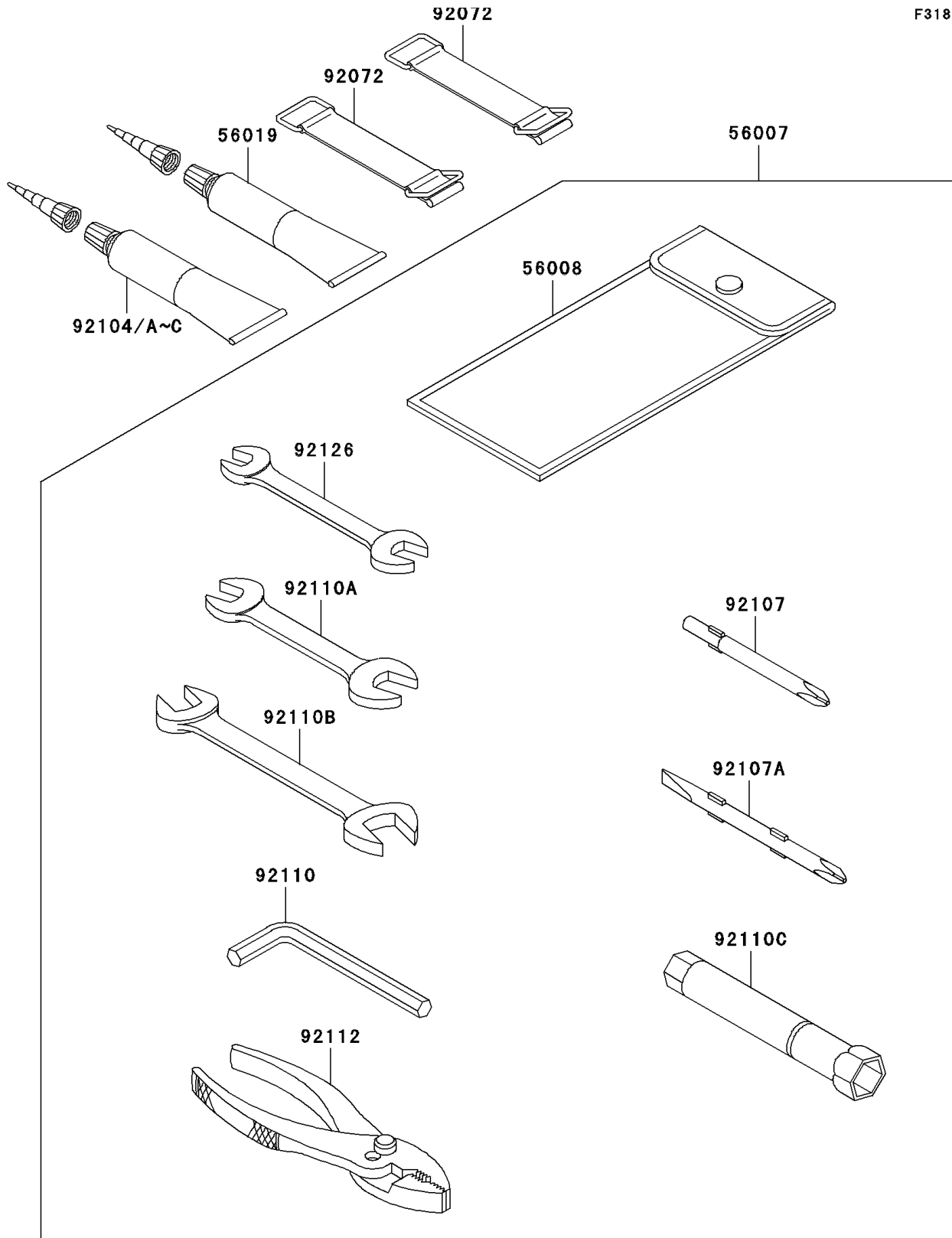


# 2008 Ultra 250X PARTS DIAGRAM

Owner's Tools

F3182



## 2008 Ultra 250X PARTS LIST

### Owner's Tools

ITEM NAME	PART NUMBER	QUANTITY
TOOL-KIT (Ref # 56007)	56007-3720	1
BAG,TOOL (Ref # 56008)	56008-3706	1
GASKET-LIQUID,TB1211,WHITE (Ref # 56019)	56019-120	1
BAND,L=50 (Ref # 92072)	92072-3853	2
GASKET-LIQUID,TB1211F,CLEAR (Ref # 92104)	92104-0004	1
GASKET-LIQUID,TB1215B,BLACK (Ref # 92104A)	92104-1062	1
GASKET-LIQUID,TB1215,GRAY (Ref # 92104B)	92104-1065	1
GASKET-LIQUID,TB1521,BROWN (Ref # 92104C)	92104-3701	1
TOOL-DRIVER,#3PHILLIPS (Ref # 92107)	92107-005	1
TOOL-DRIVER,#2PHILLIPS&SLOT (Ref # 92107A)	92107-1051	1
TOOL-WRENCH,ALLEN,5MM (Ref # 92110)	92110-1015	1
TOOL-WRENCH,OPEN END,10X12 (Ref # 92110A)	92110-1152	1
TOOL-WRENCH,OPEN END,14X17 (Ref # 92110B)	92110-1153	1
TOOL-WRENCH,BOX,16MM (Ref # 92110C)	92110-3706	1
TOOL-PLIERS (Ref # 92112)	92112-1001	1
TOOL-WRENCH,OPEN END,8X10 (Ref # 92126)	92126-004	1