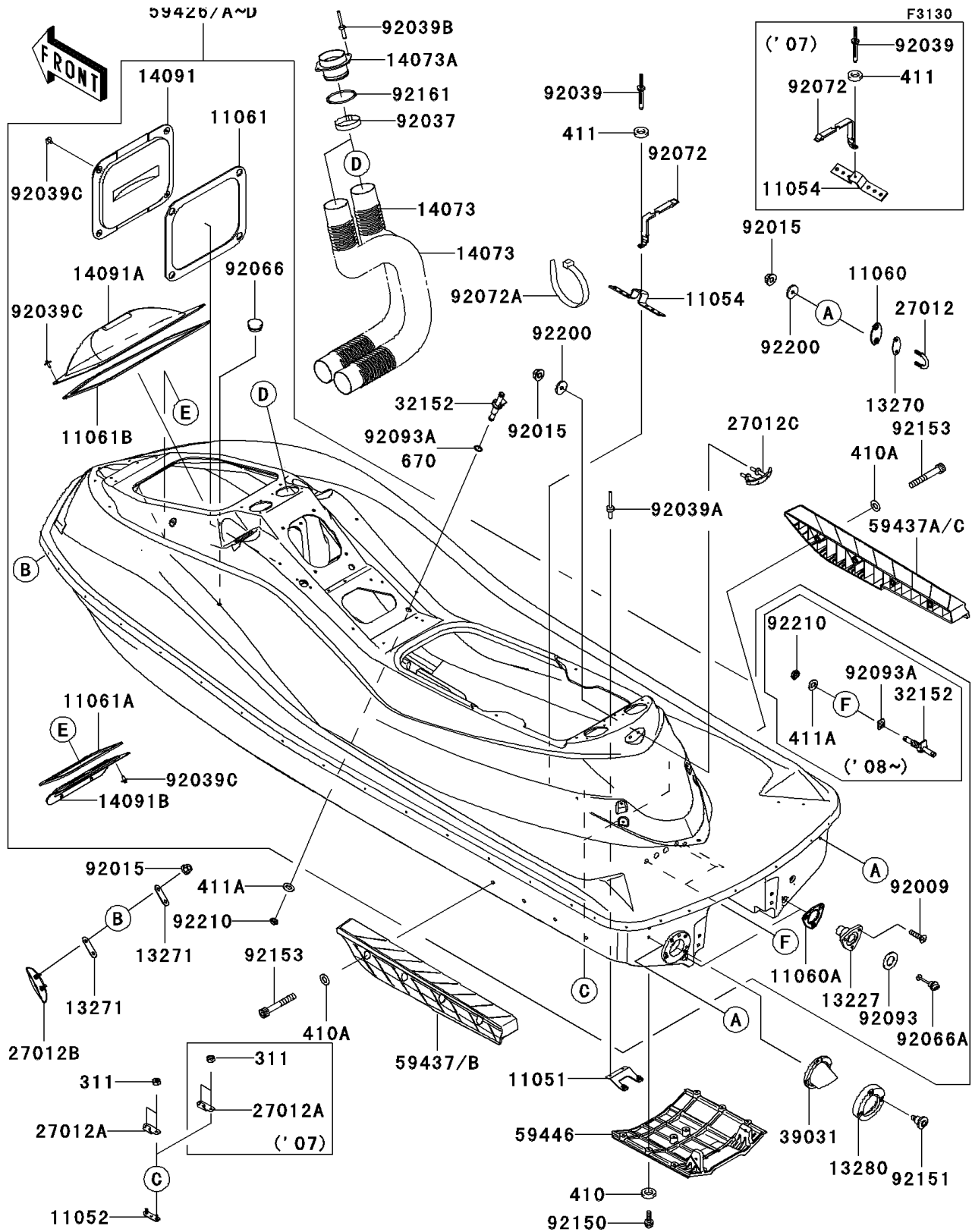


# 2008 Ultra 250X PARTS DIAGRAM

Hull



# 2008 Ultra 250X PARTS LIST

Hull

| ITEM NAME | PART NUMBER | QUANTITY |
|-----------|-------------|----------|
|-----------|-------------|----------|