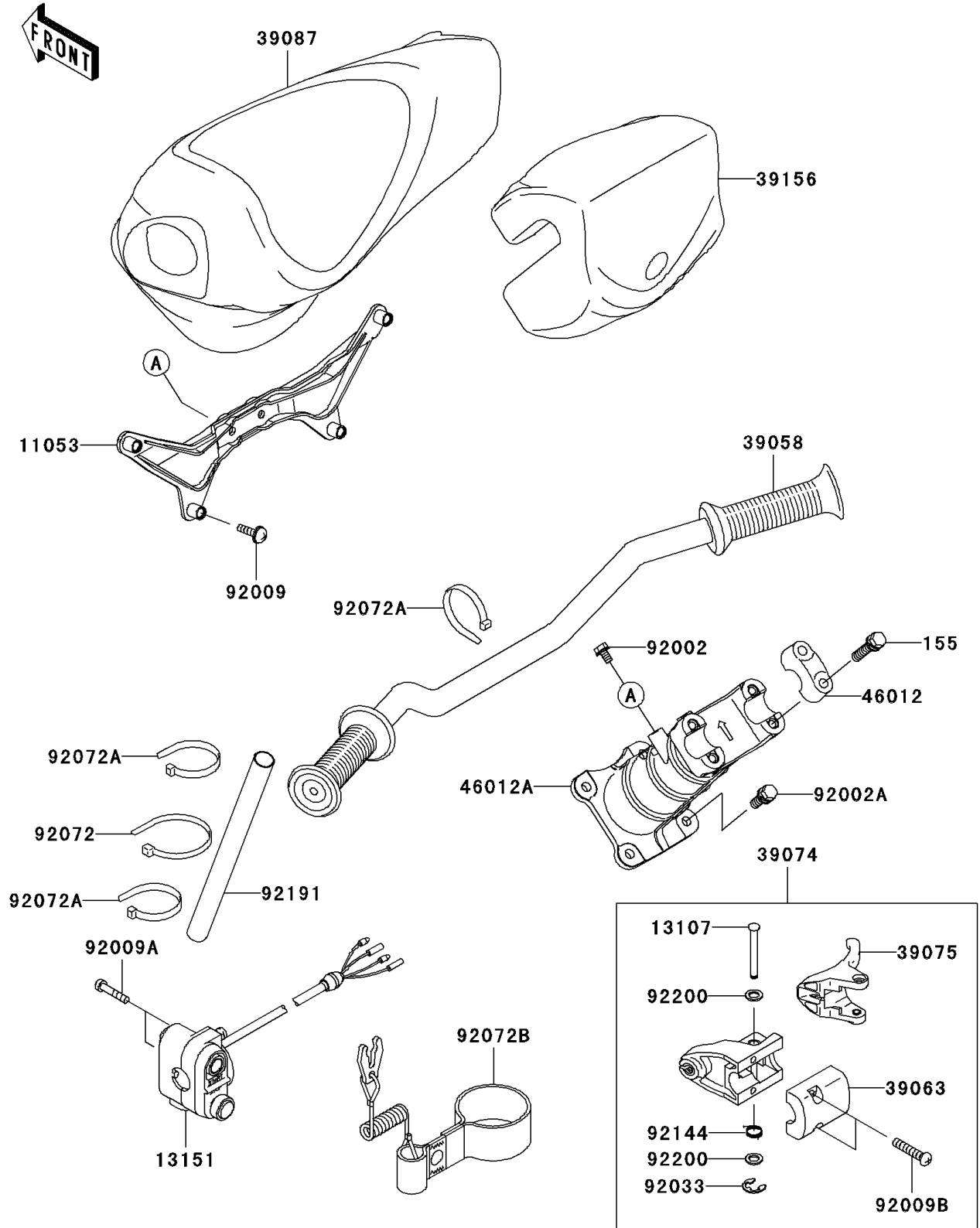


2008 STX-15F PARTS DIAGRAM

Handlebar

F3172



2008 STX-15F PARTS LIST

Handlebar

ITEM NAME	PART NUMBER	QUANTITY
-----------	-------------	----------