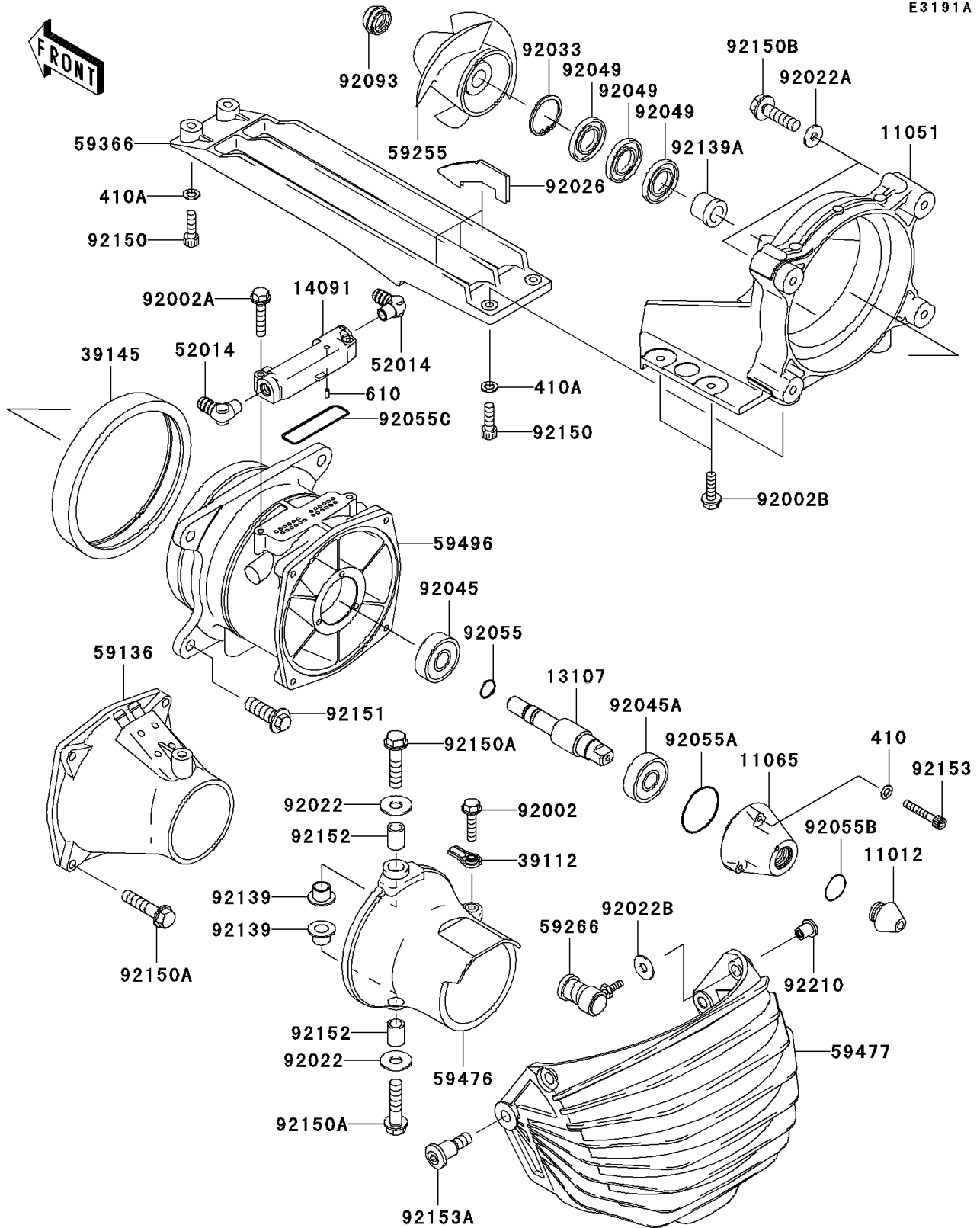


2008 STX-15F PARTS DIAGRAM

Jet Pump(A7F-AAF)

E3191A



2008 STX-15F PARTS LIST

Jet Pump(A7F-AAF)

ITEM NAME	PART NUMBER	QUANTITY
CAP (Ref # 11012)	11012-3786	1
BRACKET (Ref # 11051)	11051-3763	1
CAP (Ref # 11065)	11065-3733	1
SHAFT,JET PUMP (Ref # 13107)	13107-3794	1
COVER,VANE GUIDE (Ref # 14091)	14091-3817	1
RODEND-TIE (Ref # 39112)	39112-3703	1
TRIM-SEAL (Ref # 39145)	39145-3742	1
ELBOW (Ref # 52014)	52014-3711	2
NOZZLE-PUMP (Ref # 59136)	59136-3760	1
IMPELLER-COMP (Ref # 59255)	59255-3729	1
JOINT-BALL (Ref # 59266)	59266-3707	1
GRATE (Ref # 59366)	59366-3719	1
NOZZLE-STRG (Ref # 59476)	59476-3743	1
BUCKET-REVERSE (Ref # 59477)	59477-3712	1
VANE-GUIDE (Ref # 59496)	59496-3759	1
BOLT,6X25 (Ref # 92002)	92002-3714	1
BOLT,6X30 (Ref # 92002A)	92002-3726	2
BOLT,6X20 (Ref # 92002B)	92002-3755	4
WASHER,PLAIN (Ref # 92022)	92022-3026	2
WASHER,8.4X23X2.5 (Ref # 92022A)	92022-3744	2
WASHER (Ref # 92022B)	92022-567	1
SPACER (Ref # 92026)	92026-3742	3
RING-SNAP (Ref # 92033)	92033-3730	1
BEARING-BALL,6303R-6 (Ref # 92045)	92045-3744	1
BEARING-BALL,62/22 2RS (Ref # 92045A)	92045-3745	1
SEAL-OIL (Ref # 92049)	92049-3739	3
RING-O,13.0X1.9 (Ref # 92055)	92055-1011	1
RING-O (Ref # 92055A)	92055-3741	1
RING-O (Ref # 92055B)	92055-3744	1

2008 STX-15F PARTS LIST

Jet Pump(A7F-AAF)

ITEM NAME	PART NUMBER	QUANTITY
RING-O,70.2X74.0X1.90 (Ref # 92055C)	92055-3765	1
SEAL (Ref # 92093)	92093-3749	1
BUSHING (Ref # 92139)	92139-3701	2
BUSHING (Ref # 92139A)	92139-3715	1
BOLT,SOCKET,6X18 (Ref # 92150)	92150-3775	4
BOLT,8X35 (Ref # 92150A)	92150-3792	6
BOLT,FLANGED,8X30 (Ref # 92150B)	92150-3803	2
BOLT,10X30 (Ref # 92151)	92151-3706	4
COLLAR,8.2X11.8X15 (Ref # 92152)	92152-3703	2
BOLT,SOCKET,5X30 (Ref # 92153)	92153-3742	3
BOLT,SOCKET,8X30 (Ref # 92153A)	92153-3745	2
NUT,6MM (Ref # 92210)	92210-3789	1
W-PLAIN-S,5MM (Ref # 410)	410S0500	3
WASHER-PLAIN-SMALL,6MM (Ref # 410A)	410S0600	4
ROLLER,4X8 (Ref # 610)	610A0408	1