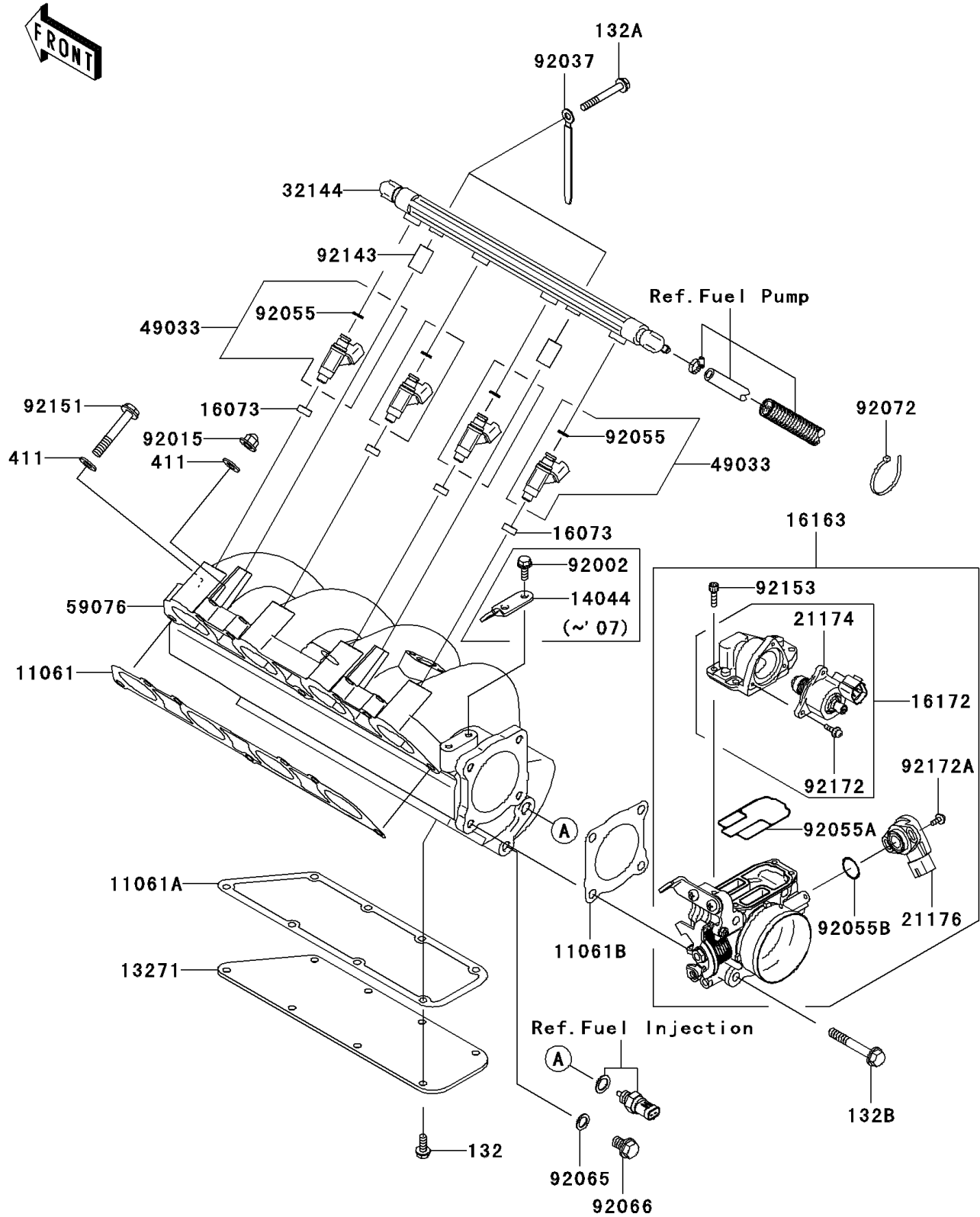


# 2007 STX-15F PARTS DIAGRAM

Throttle

E1510



## 2007 STX-15F PARTS LIST

### Throttle

| ITEM NAME                             | PART NUMBER | QUANTITY |
|---------------------------------------|-------------|----------|
| GASKET,MANIFOLD (Ref # 11061)         | 11061-3716  | 1        |
| GASKET,PLATE (Ref # 11061A)           | 11061-3737  | 1        |
| GASKET,THROTTLE (Ref # 11061B)        | 11061-3738  | 1        |
| PLATE,MANIFOLD (Ref # 13271)          | 13271-3899  | 1        |
| HOLDER-CABLE (Ref # 14044)            | 14044-3748  | 1        |
| INSULATOR (Ref # 16073)               | 16073-3707  | 4        |
| THROTTLE-ASSY,AC60 (Ref # 16163)      | 16163-3713  | 1        |
| ACTUATOR (Ref # 16172)                | 16172-3705  | 1        |
| MOTOR-ELECTRIC,STM (Ref # 21174)      | 21174-3706  | 1        |
| SENSOR,TPS (Ref # 21176)              | 21176-3762  | 1        |
| PIPE-ASSY (Ref # 32144)               | 32144-3705  | 1        |
| NOZZLE-INJECTION (Ref # 49033)        | 49033-3707  | 4        |
| MANIFOLD-INTAKE (Ref # 59076)         | 59076-3729  | 1        |
| BOLT,6X16 (Ref # 92002)               | 92002-3728  | 2        |
| NUT,CAP,8MM (Ref # 92015)             | 92015-1371  | 4        |
| CLAMP,L=100 (Ref # 92037)             | 92037-3736  | 2        |
| RING-O,INJECTION NOZZLE (Ref # 92055) | 92055-1622  | 4        |
| RING-O (Ref # 92055A)                 | 92055-3773  | 1        |
| RING-O (Ref # 92055B)                 | 92055-3774  | 1        |
| GASKET,10.5X16X1 (Ref # 92065)        | 92065-058   | 1        |
| PLUG (Ref # 92066)                    | 92066-3781  | 1        |
| BAND,L=188.85 (Ref # 92072)           | 92072-0105  | 1        |
| COLLAR (Ref # 92143)                  | 92143-3731  | 2        |
| BOLT,8X60 (Ref # 92151)               | 92151-3730  | 3        |
| BOLT (Ref # 92153)                    | 92153-3723  | 4        |
| SCREW (Ref # 92172)                   | 92172-3710  | 3        |
| SCREW (Ref # 92172A)                  | 92172-3711  | 2        |
| BOLT-FLANGED-SMALL,6X16 (Ref # 132)   | 132BD0616   | 8        |
| BOLT-FLANGED-SMALL,6X50 (Ref # 132A)  | 132BD0650   | 2        |

## 2007 STX-15F PARTS LIST

### Throttle

| ITEM NAME                            | PART NUMBER | QUANTITY |
|--------------------------------------|-------------|----------|
| BOLT-FLANGED-SMALL,8X55 (Ref # 132B) | 132BD0855   | 4        |
| WASHER-PLAIN,8MM (Ref # 411)         | 411S0800    | 7        |