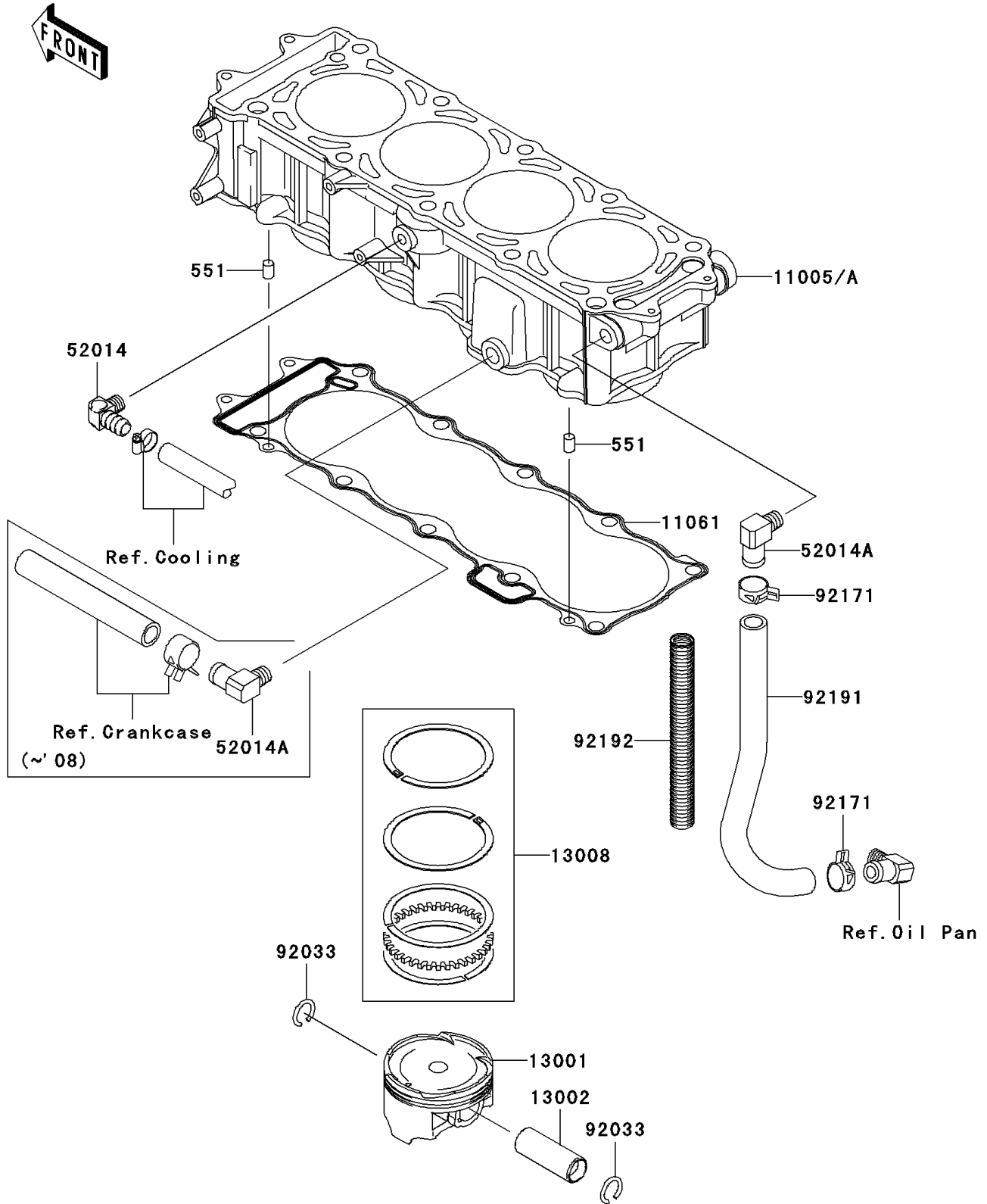


2008 STX-15F PARTS DIAGRAM

Cylinder/Piston(s)

E1120



2008 STX-15F PARTS LIST

Cylinder/Piston(s)

ITEM NAME	PART NUMBER	QUANTITY
CYLINDER-ENGINE (Ref # 11005)	11005-3761	1
GASKET,CYLINDER BASE (Ref # 11061)	11061-3708	1
PISTON-ENGINE (Ref # 13001)	13001-3737	4
PIN-PISTON (Ref # 13002)	13002-3709	4
RING-SET-PISTON (Ref # 13008)	13008-1196	4
ELBOW (Ref # 52014)	52014-3711	1
ELBOW (Ref # 52014A)	52014-3717	2
RING-SNAP (Ref # 92033)	92033-1188	8
CLAMP,TUBE (Ref # 92171)	92171-3710	2
TUBE,BREATHER (Ref # 92191)	92191-3983	1
TUBE,19.5X23.8X170 (Ref # 92192)	92192-3702	1
PIN-DOWEL (Ref # 551)	551R0812	2