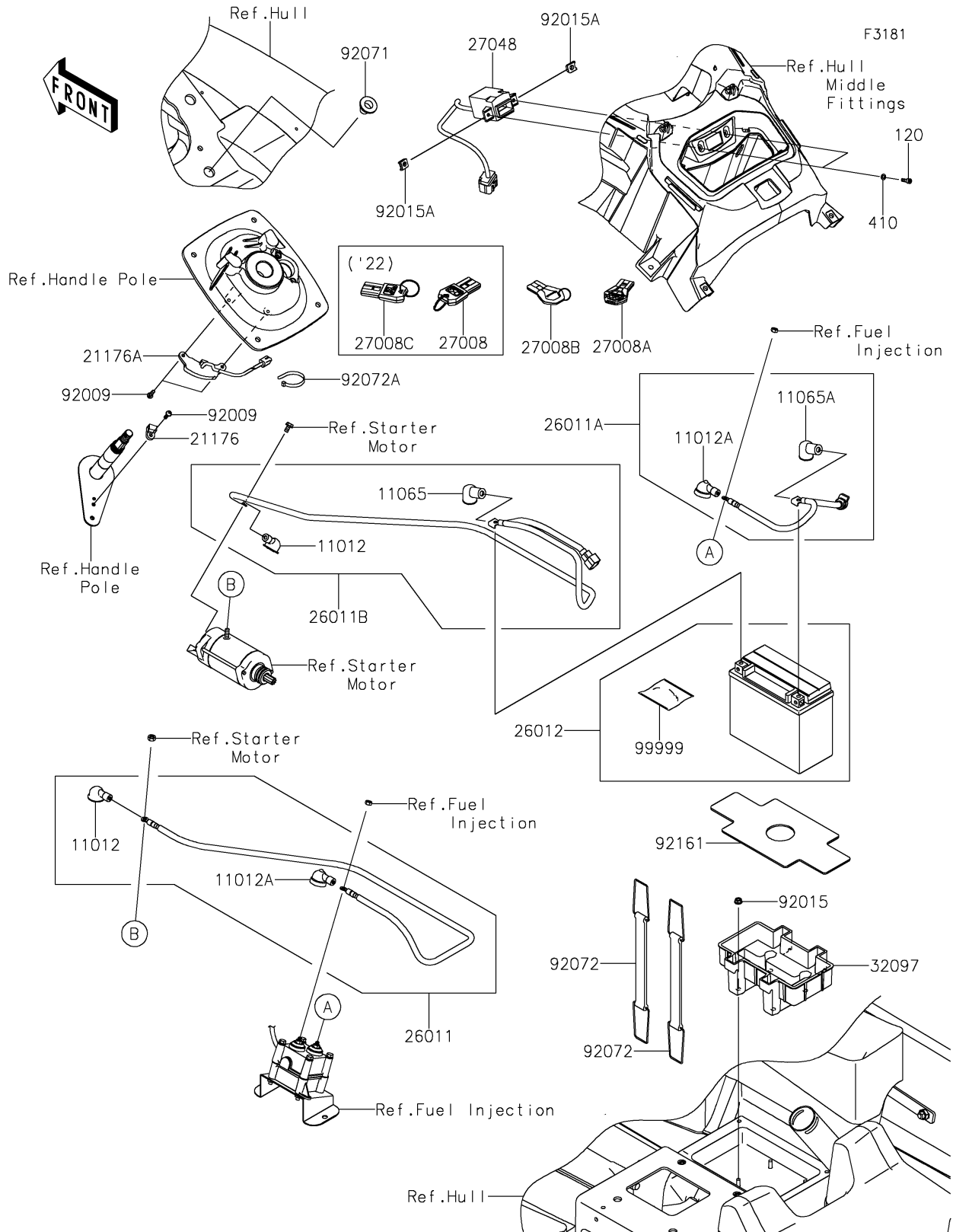


2023 JET SKI® STX® 160LX PARTS DIAGRAM

Electrical Equipment



2023 JET SKI® STX® 160LX PARTS LIST

Electrical Equipment

ITEM NAME	PART NUMBER	QUANTITY
-----------	-------------	----------