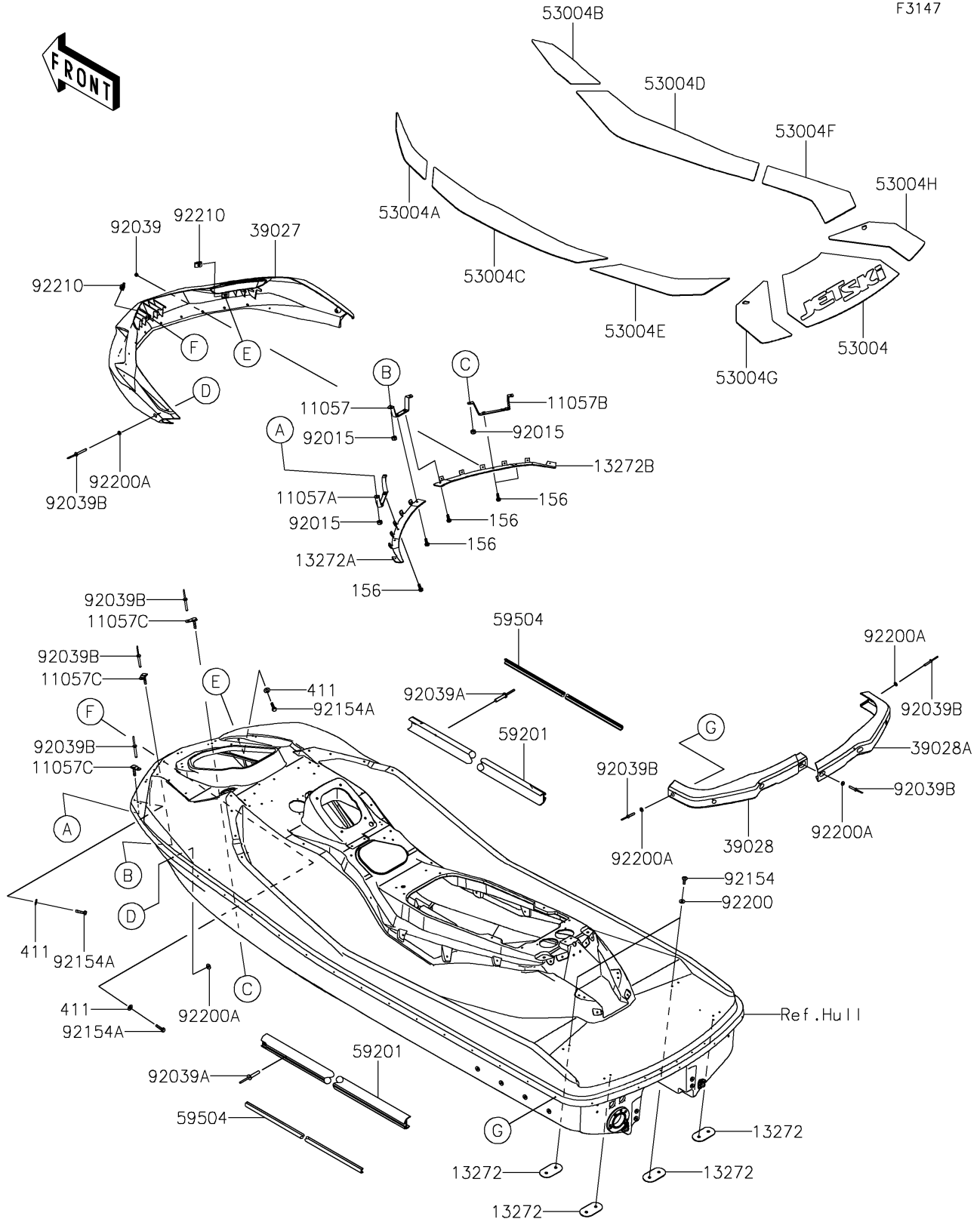


2022 JET SKI® ULTRA® 310X PARTS DIAGRAM

Pads

F3147



2022 JET SKI® ULTRA® 310X PARTS LIST

Pads

| ITEM NAME | PART NUMBER | QUANTITY |
|---|---------------|----------|
| BRACKET,FR BUMPER,CNT (Ref # 11057) | 11057-7809 | 1 |
| BRACKET,FR BUMPER,LH (Ref # 11057A) | 11057-7810 | 1 |
| BRACKET,FR BUMPER,RH (Ref # 11057B) | 11057-7811 | 1 |
| BRACKET,FR (Ref # 11057C) | 11057-7812 | 6 |
| PLATE,GUIDE (Ref # 13272) | 13272-3849 | 4 |
| PLATE,FR BUMPER,LH (Ref # 13272A) | 13272-3984 | 1 |
| PLATE,FR BUMPER,RH (Ref # 13272B) | 13272-3985 | 1 |
| BUMPER-FRONT,BLACK (Ref # 39027) | 39027-0005-6Z | 1 |
| BUMPER-REAR,LH,BLACK (Ref # 39028) | 39028-0008-6Z | 1 |
| BUMPER-REAR,RH,BLACK (Ref # 39028A) | 39028-0009-6Z | 1 |
| MAT,DECK,CNT (Ref # 53004) | 53004-0686 | 1 |
| MAT,FLOOR,FR,LH (Ref # 53004A) | 53004-0695 | 1 |
| MAT,FLOOR,FR,RH (Ref # 53004B) | 53004-0696 | 1 |
| MAT,FLOOR,MIDDLE,LH (Ref # 53004C) | 53004-0697 | 1 |
| MAT,FLOOR,MIDDLE,RH (Ref # 53004D) | 53004-0698 | 1 |
| MAT,FLOOR,RR,LH (Ref # 53004E) | 53004-0699 | 1 |
| MAT,FLOOR,RR,RH (Ref # 53004F) | 53004-0700 | 1 |
| MAT,DECK,LH (Ref # 53004G) | 53004-0701 | 1 |
| MAT,DECK,RH (Ref # 53004H) | 53004-0702 | 1 |
| BUMPER,SIDE,BLACK (Ref # 59201) | 59201-0009-6Z | 2 |
| INSERT-BOAT FENDER,SIDE,BLACK (Ref # 59504) | 59504-0003-6Z | 2 |
| NUT,LOCK,6MM (Ref # 92015) | 92015-3766 | 6 |
| RIVET (Ref # 92039) | 92039-3733 | 12 |
| RIVET (Ref # 92039A) | 92039-3771 | 26 |
| RIVET (Ref # 92039B) | 92039-3773 | 15 |
| BOLT,SOCKET,6X20 (Ref # 92154) | 92154-0918 | 2 |
| BOLT,FLANGED,6X28 (Ref # 92154A) | 92154-4484 | 3 |
| WASHER,6.5X16X1.0 (Ref # 92200) | 92200-3712 | 2 |
| WASHER,5X12X1 (Ref # 92200A) | 92200-3796 | 11 |

2022 JET SKI® ULTRA® 310X PARTS LIST

Pads

| ITEM NAME | PART NUMBER | QUANTITY |
|------------------------------|-------------|----------|
| NUT,6MM (Ref # 92210) | 92210-3768 | 2 |
| BOLT-WP,6X18 (Ref # 156) | 156R0618 | 6 |
| WASHER-PLAIN,6MM (Ref # 411) | 411S0600 | 3 |