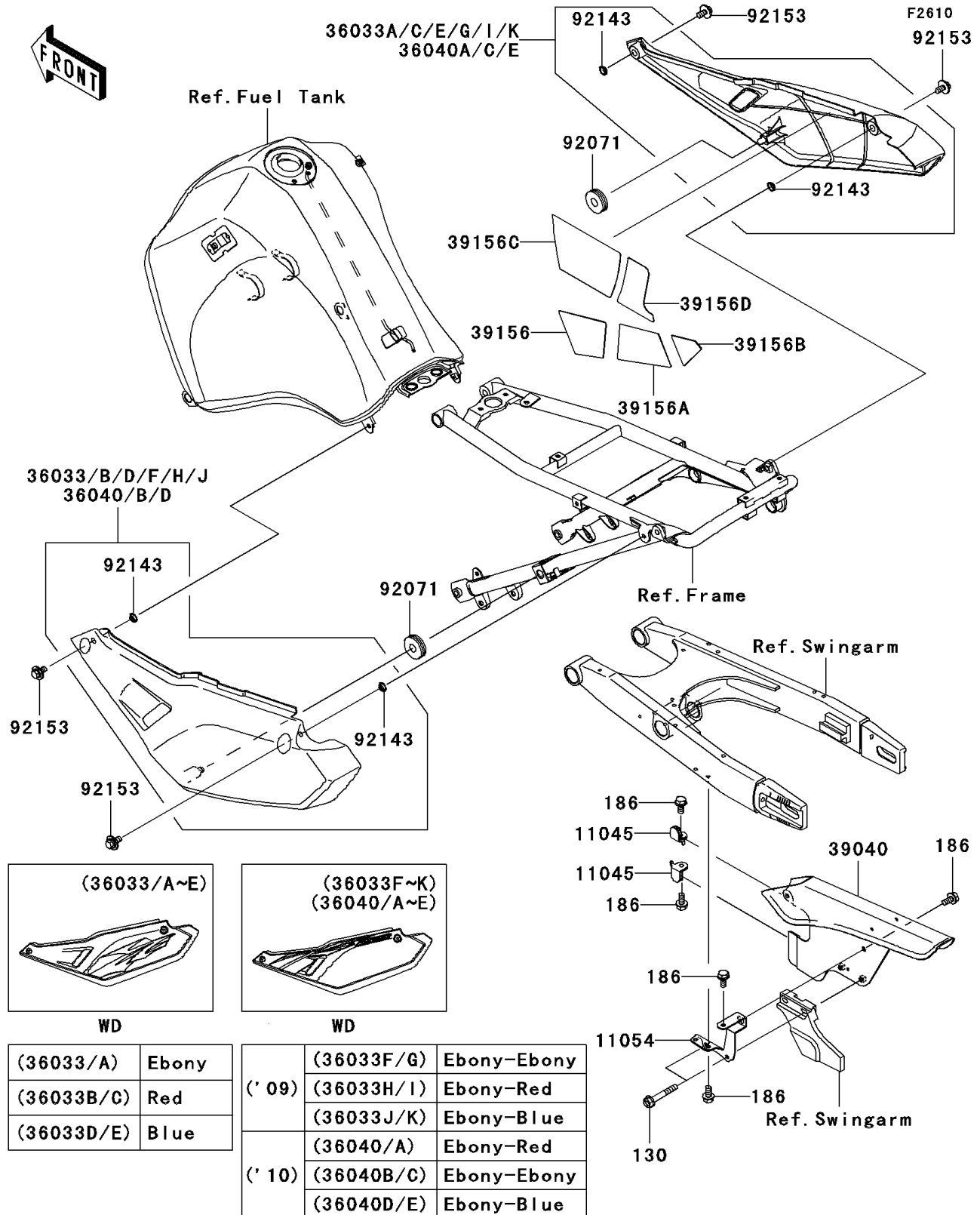


2009 KLR™ 650 PARTS DIAGRAM

Side Covers/Chain Cover



2009 KLR™ 650 PARTS LIST

Side Covers/Chain Cover

ITEM NAME	PART NUMBER	QUANTITY
BOLT-FLANGED,6X40 (Ref # 130)	130BA0640	2
BOLT-UPSET-WP,6X12 (Ref # 186)	186BA0612	5
BRACKET,CHAIN CASE,FR (Ref # 11045)	11045-1335	2
BRACKET,CHAIN CASE,RR (Ref # 11054)	11054-0390	1
COVER-SIDE,LH,EBONY (Ref # 36033F)	36033-5367-6C	1
COVER-SIDE,RH,EBONY (Ref # 36033G)	36033-5368-6C	1
COVER-SIDE,LH,EBONY (Ref # 36033H)	36033-5369-6C	1
COVER-SIDE,RH,EBONY (Ref # 36033I)	36033-5370-6C	1
COVER-SIDE,LH,EBONY (Ref # 36033J)	36033-5371-6C	1
COVER-SIDE,RH,EBONY (Ref # 36033K)	36033-5372-6C	1
COVER-ASSY-CHAIN CASE (Ref # 39040)	39040-0002	1
PAD,SIDE COVER,RH,LWR,FR (Ref # 39156)	39156-0184	1
PAD,SIDE COVER,RH,LWR,CNT (Ref # 39156A)	39156-0189	1
PAD,SIDE COVER,RH,LWR,RR (Ref # 39156B)	39156-0190	1
PAD,SIDE COVER,RH,UPP,FR (Ref # 39156C)	39156-0262	1
PAD,SIDE COVER,RH,UPP,RR (Ref # 39156D)	39156-0263	1
GROMMET (Ref # 92071)	92071-056	2
COLLAR (Ref # 92143)	92143-1196	4
BOLT,6X12 (Ref # 92153)	92153-0503	4