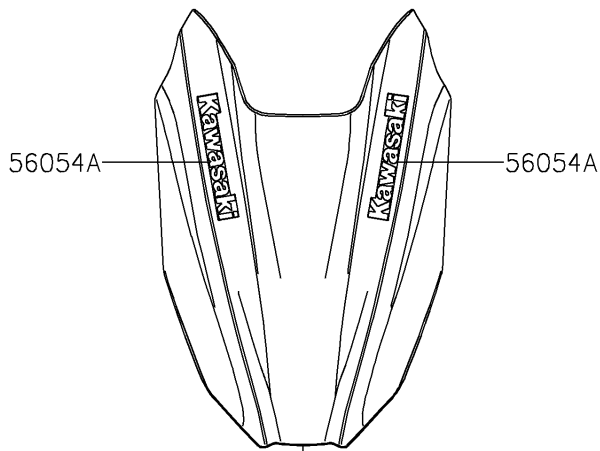


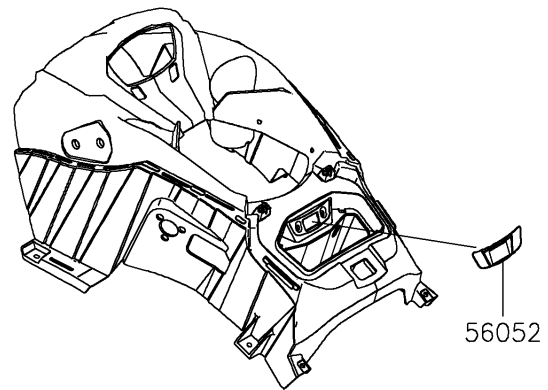
2023 JET SKI® STX® 160 PARTS DIAGRAM

Decals(RPFNN)

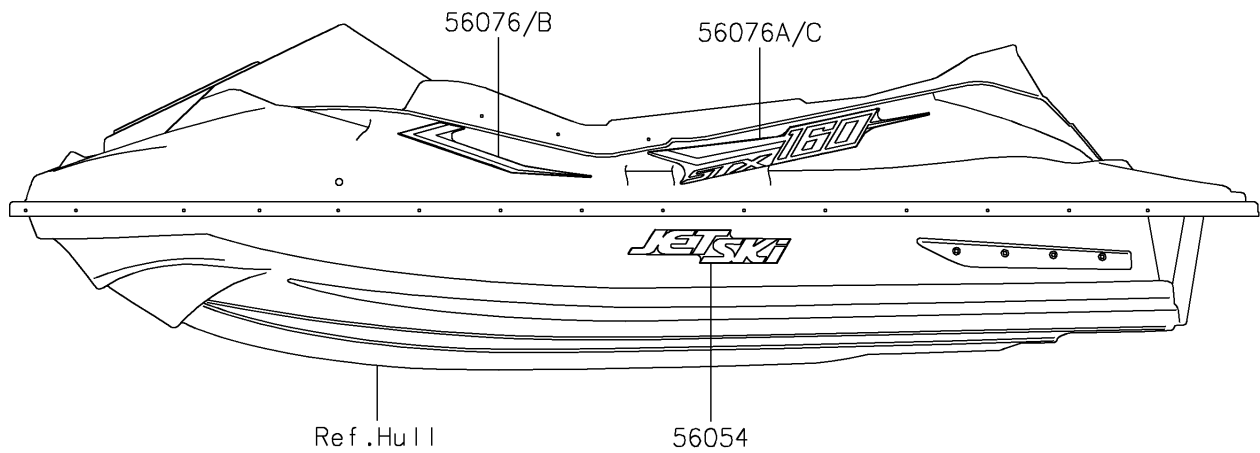
F3880B



Ref.Hull Front Fittings



Ref.Hull Middle Fittings



2023 JET SKI® STX® 160 PARTS LIST

Decals(RPFNN)

ITEM NAME	PART NUMBER	QUANTITY
MARK,IMMOBILIZER (Ref # 56052)	56052-3878	1
MARK,HULL,JETSKI (Ref # 56054)	56054-2682	2
MARK,HATCH COVER,KAWASAKI (Ref # 56054A)	56054-3857	2
PATTERN,DECK,LH,FR (Ref # 56076)	56076-2359	1
PATTERN,DECK,LH,RR (Ref # 56076A)	56076-2360	1
PATTERN,DECK,RH,FR (Ref # 56076B)	56076-2361	1
PATTERN,DECK,RH,RR (Ref # 56076C)	56076-2362	1