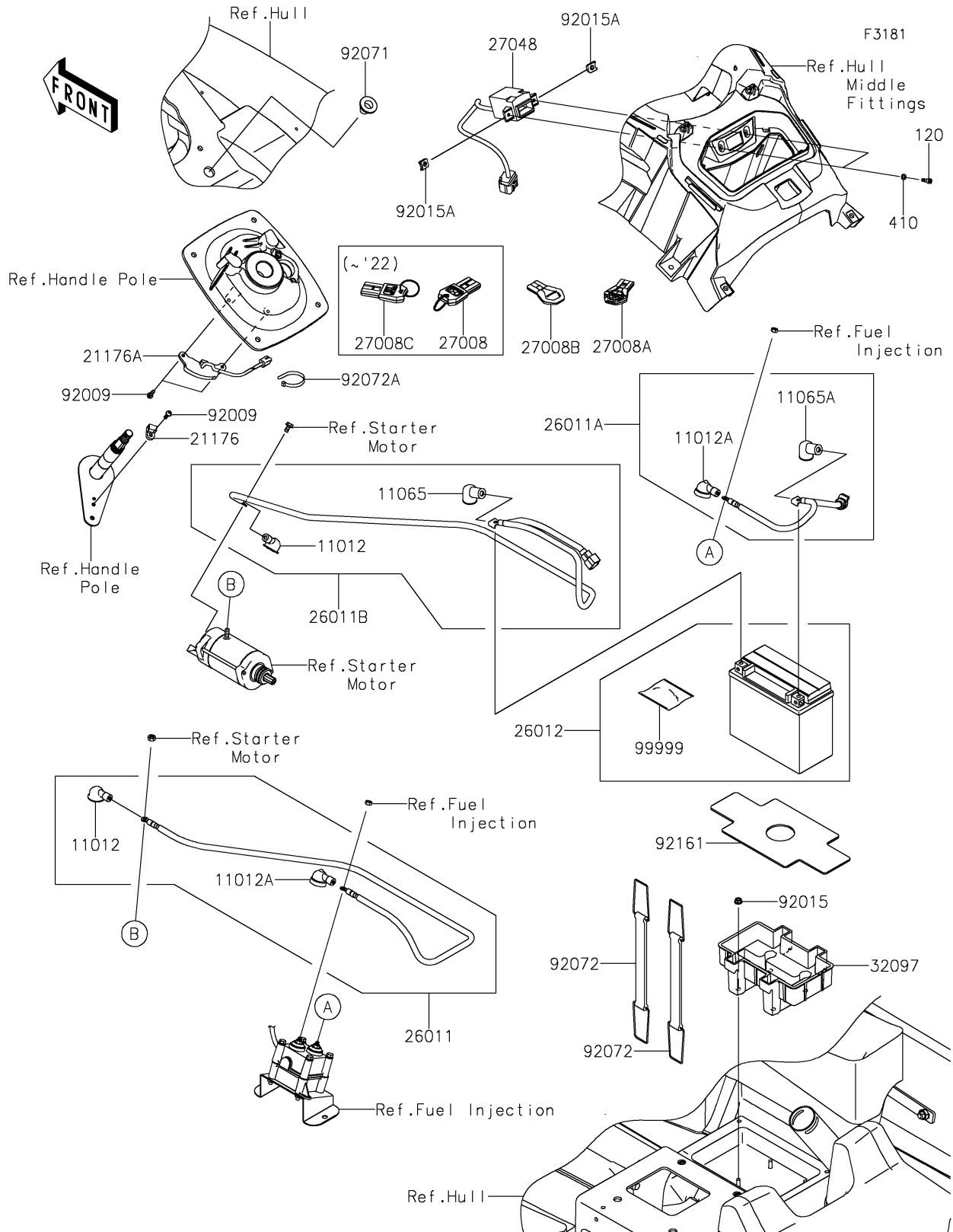


# 2023 JET SKI® STX® 160 PARTS DIAGRAM

## Electrical Equipment



## 2023 JET SKI® STX® 160 PARTS LIST

### Electrical Equipment

ITEM NAME	PART NUMBER	QUANTITY
CAP (Ref # 11012)	11012-3004	2
CAP,LEAD WIRE (Ref # 11012A)	11012-3726	2
CAP,TERMINAL (Ref # 11065)	11065-3729	1
CAP,TERMINAL (Ref # 11065A)	11065-3732	1
SENSOR,MAGNET (Ref # 21176)	21176-3746	1
SENSOR,HOLE IC (Ref # 21176A)	21176-3748	1
WIRE-LEAD,RELAY-STARTER (Ref # 26011)	26011-1882	1
WIRE-LEAD,BATTERY(+) (Ref # 26011A)	26011-1883	1
WIRE-LEAD,BATTERY(-) (Ref # 26011B)	26011-1884	1
BATTERY,YTX20L-BS,12V 18AH (Ref # 26012)	26012-0787	1
SLO MODE KEY (Ref # 27008A)	27008-0685	1
FPO MODE KEY (Ref # 27008B)	27008-0696	1
SWITCH-ASSY (Ref # 27048)	27048-0056	1
CASE-BATTERY (Ref # 32097)	32097-0561	1
SCREW,5X16 (Ref # 92009)	92009-3868	3
NUT,6MM (Ref # 92015)	92015-3767	4
NUT,CLIP,5MM (Ref # 92015A)	92015-3830	2
GROMMET (Ref # 92071)	92071-3826	1
BAND,340X22 (Ref # 92072)	92072-3805	2
BAND,L=100.08 (Ref # 92072A)	92072-3882	1
DAMPER,BATTERY CASE (Ref # 92161)	92161-1388	1
BOLT NUT KIT (Ref # 99999)	99999-0311	1
BOLT-SOCKET,5X16 (Ref # 120)	120R0516	2
W-PLAIN-S,5MM (Ref # 410)	410S0500	2