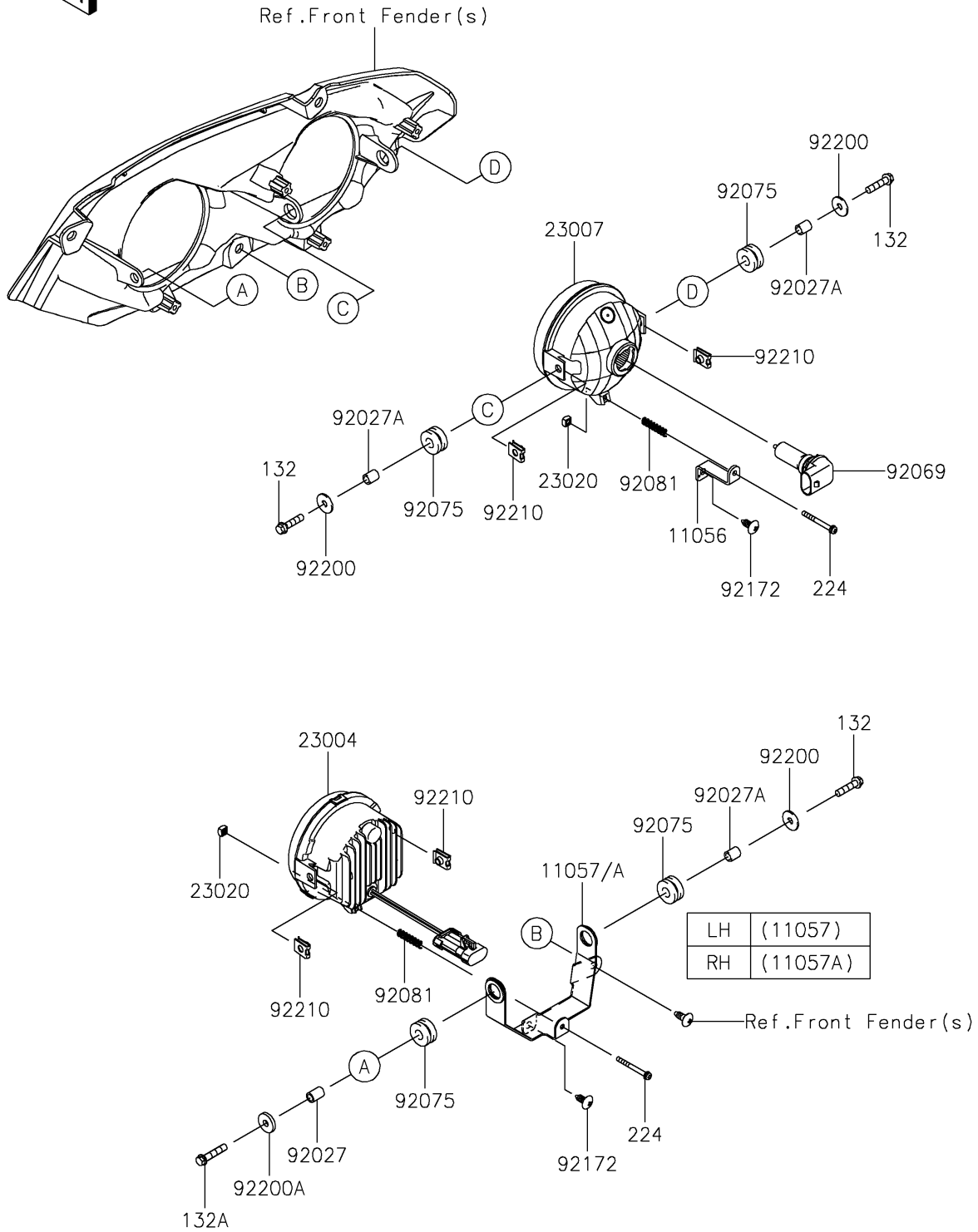


2022 MULE PRO-FXT™ RANCH EDITION PARTS DIAGRAM

Headlight(s)

F2710



2022 MULE PRO-FXT™ RANCH EDITION PARTS LIST

Headlight(s)

| ITEM NAME | PART NUMBER | QUANTITY |
|--------------------------------------|-------------|----------|
| BRACKET (Ref # 11056) | 11056-2933 | 2 |
| BRACKET,LED HL,LH (Ref # 11057) | 11057-0755 | 1 |
| BRACKET,LED HL,RH (Ref # 11057A) | 11057-0783 | 1 |
| LAMP-HEAD (Ref # 23004) | 23004-0372 | 2 |
| LENS-COMP,HEAD LAMP (Ref # 23007) | 23007-0220 | 2 |
| NUT,4MM,FOCUS ADJUST (Ref # 23020) | 23020-018 | 4 |
| COLLAR,6.8X10X14.5 (Ref # 92027) | 92027-156 | 2 |
| COLLAR,6.8X10X12 (Ref # 92027A) | 92027-162 | 6 |
| BULB,12V 35/35W (Ref # 92069) | 92069-0102 | 2 |
| DAMPER,10X24X12 (Ref # 92075) | 92075-1690 | 8 |
| SPRING,FOCUS ADJUST (Ref # 92081) | 92081-1896 | 4 |
| SCREW,6X16 (Ref # 92172) | 92172-0284 | 4 |
| WASHER,6.5X20X1.6 (Ref # 92200) | 92200-0283 | 6 |
| WASHER,6.5X20X3.2 (Ref # 92200A) | 92200-0359 | 2 |
| NUT (Ref # 92210) | 92210-1125 | 8 |
| BOLT-FLANGED-SMALL,6X25 (Ref # 132) | 132BA0625 | 6 |
| BOLT-FLANGED-SMALL,6X30 (Ref # 132A) | 132BA0630 | 2 |
| SCREW-PAN-WP-CROS (Ref # 224) | 224AA0440 | 4 |