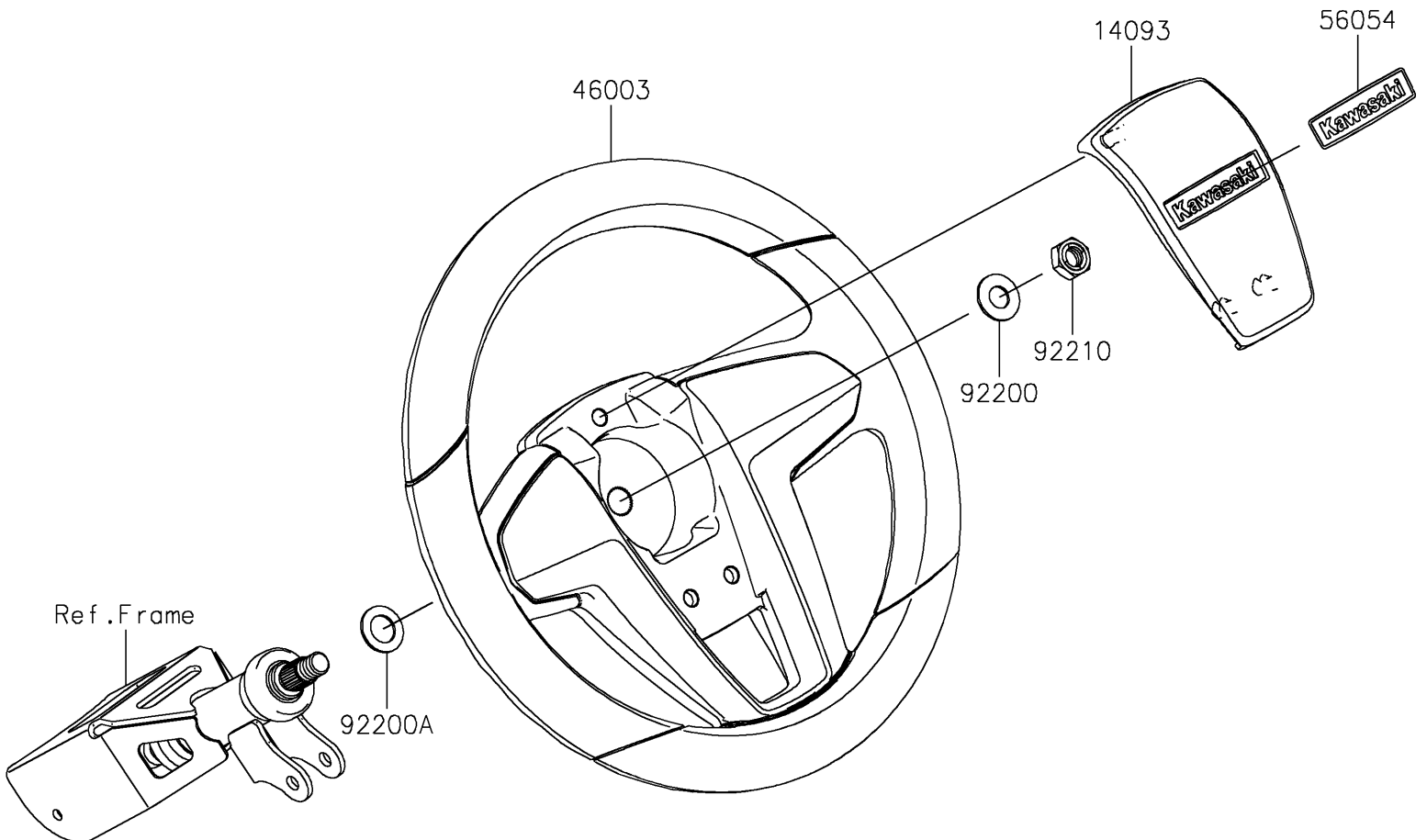


2022 MULE PRO-FXT™ RANCH EDITION PARTS DIAGRAM

Steering Wheel

F2311



2022 MULE PRO-FXT™ RANCH EDITION PARTS LIST

Steering Wheel

| ITEM NAME | PART NUMBER | QUANTITY |
|---|-------------|----------|
| COVER,HORN SWITCH (Ref # 14093) | 14093-1144 | 1 |
| HANDLE (Ref # 46003) | 46003-0808 | 1 |
| MARK,CENTER LOGO,KAWASAKI (Ref # 56054) | 56054-2907 | 1 |
| WASHER,12.1X25X1.6 (Ref # 92200) | 92200-0455 | 1 |
| WASHER,15X25X1.6 (Ref # 92200A) | 92200-0460 | 1 |
| NUT,LOCK,12MM (Ref # 92210) | 92210-1249 | 1 |